

Speaker Drivers General Purpose

Round GP

1.5" GP SPEAKER 45mm

As used in portable phones, communication speakers, walkmans, dictation units, etc. 8 ohm 200mW
PAPER 45mm

Impedance	8Ω
Power	100mW
Diam.	45mm
Height	10mm
Code	S0SP45



2 1/4" GP SPEAKER FLAT 57mm

WEATHER-PROOF
Plastic cone low profile

Impedance	8Ω*
Power	2W
Diam.	57mm
Height	8mm
Code	S0SP57



2" GP SPEAKER 50mm

Impedance	8Ω
Power	200mW
Diam.	50mm
Height	8mm
Code	S0SP60



3" GP SPEAKER 75mm

Impedance	8Ω
Power	1W
Diam.	75mm
Height	25mm
Code	S0SP03



2" GP PLASTIC 50mm

Impedance	8Ω~
Power	200mW
Diam.	50mm
Height	8mm
Code	S0SP50



3" GP SPEAKER 75mm

Impedance	8Ω	16Ω	32Ω
Power	3W	1.5W	2W
Diam.	75mm	75mm	75mm
Height	35mm	35mm	35mm
Code	SP37	SP36	SP38



2" GP SPEAKER FLAT 50mm

Std Paper Cone Super low profile Rare earth mag.
Compact. Shielded

Impedance	8Ω*
Power	1W
Diam.	50mm
Height	9mm
Code	S0SP52



3.5" GP SPEAKER 90mm

Impedance	8Ω	4Ω
Power	1W	1W
Diam.	90mm	90mm
Height	25mm	25mm
Code	SP06	SP07



2 1/4" GP SPEAKER 57mm

Impedance	8Ω
Power	0.5W
Diam.	57mm
Height	15mm
Code	S0SP01



4" GP SPEAKER 100mm

Impedance	4Ω	8Ω
Power	1.5W	1.5W
Diam.	100mm	100mm
Height	40mm	40mm
Code	SP101	SP102



2" HI-FI SPEAKER 50mm

Paper Cone with Rubber surround Rare earth mag.
Compact. Shielded

Impedance	8Ω*
Power	2W
Diam.	50mm
Height	18mm
Code	S0SP54



4" GP SPEAKER 100mm

Impedance	4Ω
Power	5W
Diam.	100mm
Height	35mm
Code	S0SP101B



□ Square GP

2.5" SQUARE GP SPEAKER 65mm

Impedance 8Ω
 Power 1W
 Mount 72mm
 Diam. 65mm
 Height 20mm
 Code S0SP01B



4" SQUARE GP SPEAKER 100mm

Impedance 4Ω
 Power 1.5W
 Mount 120mm
 Diam. 100mm
 Height 35mm
 Code S0SP103A



3" SQUARE GP SPEAKER 75mm

Impedance 16Ω
 Power 1W
 Mount 85mm
 Diam. 75mm
 Height 25mm
 Code S0SP03B



4" SQUARE GP SPEAKER 100mm

Impedance 4Ω
 Power 5W
 Mount 120mm
 Diam. 100mm
 Height 40mm
 Code S0SP104



3" SQUARE GP SPEAKER 75mm

Impedance 8Ω
 Power 2W
 Mount 85mm
 Diam. 75mm
 Height 25mm
 Code S0SP03C



4" SQUARE GP SPEAKER 100mm

Impedance 8Ω
 Power 5W
 Mount 120mm
 Diam. 100mm
 Height 40mm
 Code S0SP105



3.5" SQUARE GP SPEAKER 90mm

Impedance 8Ω
 Power 1W
 Mount 100mm
 Diam. 90mm
 Height 25mm
 Code S0SP08



4" SQUARE DC SPEAKER 100mm

Impedance 4Ω (3.5Ω)
 Power 40Wmax
 Mount 115mm
 Diam. 100mmØ
 Height 42mm
 Code S0DC4-40



3.5" SQUARE GP SPEAKER 90mm

Impedance 4Ω
 Power 5W
 Mount 100mm
 Diam. 90mm
 Height 30mm
 Code S0SP14



4" SQUARE GP SPEAKER 100mm

Impedance 4Ω (3.5Ω)
 Power 20Wrms / 40Wmax
 Mount 115mm
 Diam. 105mmØ
 Height 60mm
 Code S0SP4-24



3.5" SQUARE GP SPEAKER 90mm

Impedance 16Ω*
 Power 5W
 Mount 100mm
 Diam. 90mm
 Height 35mm
 Code S0SP170



□ Square

4.7" GP SPEAKER 120mm

Impedance	8Ω
Power	5W
Mount	120mm
Diam.	120mm
Height	45mm
Code	S0SP112



4.7" GP SPEAKER 120mm

Impedance	8Ω (7.4Ω)
Power	20Wrms / 35Wmax
Mount	125mm
Diam.	120mmØ
Height	50mm
Code	S0SP5-20



5" GP SPEAKER 130mm

Impedance	8Ω
Power	8W
Mount	140mm
Diam.	130mm
Height	45mm
Code	S0SP107



5.5" DC SPEAKER 135mm

Impedance	4Ω (3.5Ω)
Power	40Wmax
Mount	140mm
Diam.	135mmØ
Height	55mm
Code	S0DC525-40



5.5" HIFI SPEAKER 135mm

Impedance	8Ω (6.2Ω)
Power	30Wrms / 50Wmax
Mount	135mm
Diam.	133mmØ
Height	55mm
Code	S0SP5-30



6" GP SPEAKER 155mm

Impedance	4Ω (3.8Ω)
Power	40Wrms / 60Wmax
Mount	160mm
Diam.	155mmØ
Height	57mm
Code	S0SP6-40



□ Oval GP

1½" x 2½" OVAL SPEAKER

Impedance	8Ω
Power	5W (10W max)
Mag.	45mm
Size	70x40mm
Height	30mm 35mm
Type	Standard Shielded
Code	S0SP130 SP131



2"x4" OVAL SPEAKER

Impedance	8Ω
Power	5W
Mag.	49mm
Size	90x50 mm
Height	42mm
Code	S0SP140



2.5"x4" OVAL SPEAKER

Impedance	8Ω
Power	1.5W
Size	106x68 mm
Code	S0SP150



3"x5" OVAL SPEAKER

Impedance	8Ω
Power	3W
Size	125x77 mm
Code	S0SP160



4x6" DUAL CONE OVAL CAR SPEAKER

Impedance	4Ω
Power	30Wrms
Freq.	120Hz-20KHz
Voice	20mmØ
Size	155x105 mm
Height	50mm
Code	S0DC46-30



5x7" DUAL CONE OVAL CAR SPEAKER

Impedance	4Ω
Power	40Wp-p
Size	185x130mm
Height	60mm
Code	S0DC57-40



□ Speaker Drivers Replacement

UNIVERSAL SERIES - QUICK REF

The following range will suit most audio applications where you may be replacing a damaged driver in an existing box, upgrading a poor or outdated box or an economical solution in making your own HiFi speaker for home theatre, etc. All drivers use high quality, reliable components for long service life and excellent sound for money value.



1" DOME TWEETER HORN-LOADED

HIGH EFFICIENCY DESIGN

Suit efficient multi-array's and/or long-throw applications. Also improves time alignment. 25mm Pure aluminium dome. Design reduces ringing. Doped cloth roll surround. Acoustic damped chamber. Ferro-fluid cooled high power. Plastic fascia. Metal grille.

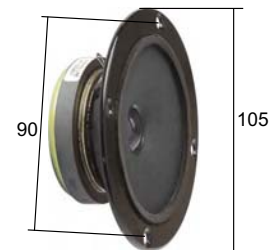
Re	6.0Ω
Sens.	
Fs	1000Hz
Freq.	1.4Khz - 20KHz
Power	25Wrms/50Wmax
Code	S0HTW25



3" CONE TWEETER

Ideal Replacement
15 watts
8Ω (7.3ΩDC)
600-16KHz (±6dB)

Code
S0CT15



1" DOME HORN TWEETER 7"

NOT A PIEZO!

This speaker is unique in that it uses a HiFi Dome driver and horn loads it for long throw PA & large room applications. Soft roll-off at high end for reduced harshness and feedback.

Mag.	150g
Freq.	1KHz - 12KHz
Z	8Ω (7.0Ωdc) 88dB
Fo	2.2KHz
Power	40Wrms 80Wp
Code	S0HT115



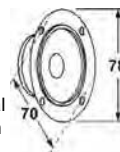
DYNAMIC DOME 8Ω

2½" CONE TWEETER

Round Black face
2.5" paper cone
25 watts peak
8Ω (7.3Ωdc)
1.5KHz-16KHz (±6dB)
Hole Diam. 60mm

Code
S0CT25

Remove the plastic cowl to reveal a bare cone tweeter. Sealed back metal framed round with an O/D of 78mm.



1" DOME HORN TWEETER 10"

DYNAMIC* SPEAKER CONE

Replacement for common CTS 10"
25mm Voice Coil. 600g Magnet.
210mm deep Exponential horn.
*Note: Requires cross-over.

Size	270x110mm
Power	200Wmax
Sens.	102dB
Freq.	1KHz - 15KHz
Impedance	8Ω
Code	S0HT1127



2½" CONE TWEETER

Square Frame Design
2.5" paper cone
30 watts 8Ω (7.3Ωdc)
1.3K-18KHz (±6dB)

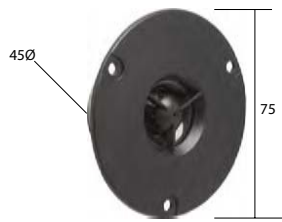
Code
S0CT30



1" MYLAR CONE TWEETER

MAGNETICALLY SHIELDED

Mylar cone 1" Ferro
Fluid cooled Super
compact Ideal for
home theatre close-to
CRT TV, etc. 3Wnom
(10peak) 91dB
(1W/1M) 8Ω (6.4Ωdc)
3.5K-17KHz (±3dB)
3K-18KHz (±6dB)
Fo 4KHz



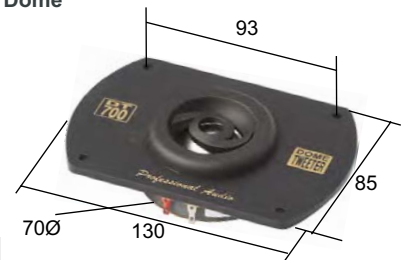
Codes
S0CT10A

1" TITANIUM DOME WIDE FRAME

Titanium Coated Mylar 1" Dome

Aluminium voice coil.
Ferro fluid & dampening.
High thermal power
handling. Wide flange.
Ideal for filling the large
hole left by previous
speaker, or just for style!

Mag.	150g
Freq.	800Hz - 20KHz
Impedance	8Ω (5.5Ω)
Sens.	94dB
Power	70WNom. 100WMax.
Code	S0DT700

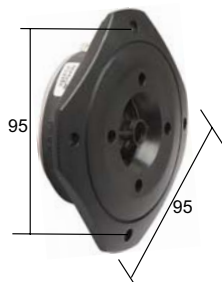


1" DOME TWEETER SQUARE-FRAME

1" Mylar dome.
Aluminium voice coil.
All Black design. 35W
nom. 70W max. 8Ω
(7.3Ωdc) 1K-20KHz.
(±6dB) 93dB sensitivity.

Code
S0DT35

Black finish will match our
"Square Frame" range
of Daichi speakers. An
articulate sound with soft
roll-off, so not too bright.

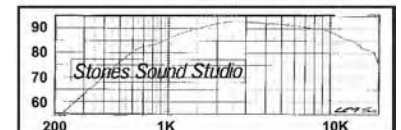


1" DOME TWEETER DAICHI DELUXE

1" Gold coloured Titanium

Alloy dome, aluminium voice coil
with Ferro fluid, cloth surround &
dampening for excellent voice and
instrument reproduction with gentle
roll off high end. Smooth response
for easy X-Over matching a nice
accurate hi-end sound.
Mag. 225g 600-20KHz (±6dB)
8Ω(5.5Ωdc) 92dB

Power	Code
60WNom.	S0DT500
120WMax.	



1" ALUMINIUM DOME TWEETER

1" Mylar Dome
Doped in aluminium
for a crystal sharp, but not too
bright a sound. High power
handling Aluminium Voice Coil.
Dark grey with dispersion cap.
Very smooth response for easy
matching. 40W nom. 80W
peak 8Ω (7.4Ωdc) 1.2K-20KHz
(±3db) 93dB sens' 150g magnet

Code
S0DT40



1" DOME TWEETER SUPER RESOLUTION

102mm FASCIA W/ GRILLE

25mm Pure aluminium dome cap Extends
high frequencies Bright and clear high-end
Design reduces any ringing Doped cloth roll
surround Tuned Acoustic damped chamber
Most resonances are moved to below the
crossover point Ferro fluid cooled high
power Plastic fascia. Metal grille. 90dB

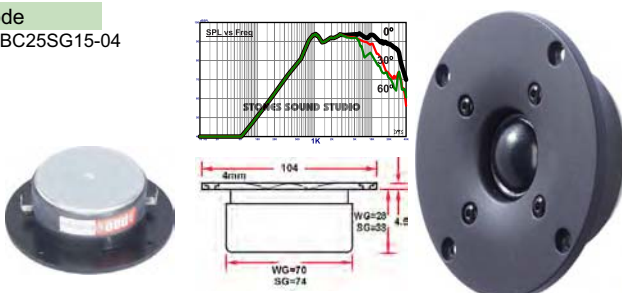
Re	6.0Ω
Fs	1400Hz
Freq.	1.4KHz - 20KHz
Power	25Wrms/60Wmax
Code	S0DTSR25



1" SOFT DOME TWEETERS PAE

Polymer fascia Black. Treated
cloth dome Fabric diaphragm.
Ferrofluid cooled.
4Ω 89.6dB 20Wrms 60Wmax

Code
S0BC25SG15-04



1" DOME TWEETER CUT SUPER RES

CONTIGUOUS TO 6½"

Cut arc diameter suits most 6.5"
165mm driver frames O/D 25mm
Pure aluminium dome cap Bright
and clear high-end Low-resonance
design (See above) Doped cloth roll
surround Tuned Acoustic damped
chamber Ferro fluid cooled high
power Plastic fascia. Metal grille.

Re	6.0Ω
Fs	1400Hz
Freq.	1.4KHz - 20KHz
Power	25Wrms/50Wmax
Code	S0DTSC25



4" DUAL CONE SPEAKER 4Ω

200g magnet Whizzer cone for extended F range Suit applications without a tweeter. Cloth surround. 40Wp-p, 87dB (1W/1M) 4Ω (3.5Ωdc) 70-20KHz (±6dB)

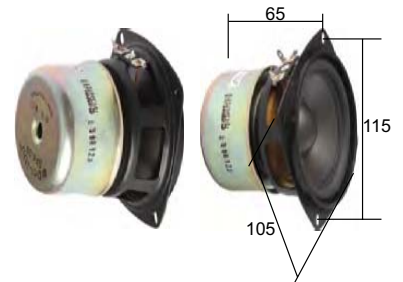
Fo 170Hz
 Qms 2.47
 Qes 1.47
 Qts 0.92
 Vas 1.11L
 Code S0DC4-40



4" MAGNETICALLY SHIELDED

High Quality Polypropylene cone Rubber surround Ideal for home theatre close-to CRT TV, etc. 30Wnom/50Wmax 91dB (1W/1M) 8Ω (6.3Ωdc) 70-7KHz (±3dB) 47-9KHz (±6dB)

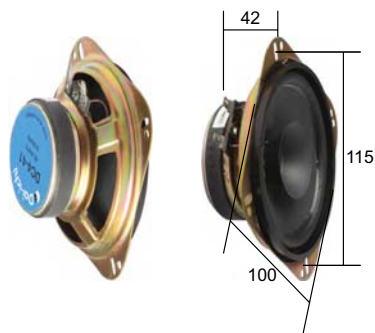
Fo 91Hz
 Qms 4.15
 Qes 0.87
 Qts 0.72
 Vas 2.11L
 Code S0SP4-30



4" DUAL CONE SPEAKER 8Ω

200g magnet Whizzer cone for extended F range Suit applications without a tweeter. Cloth surround. 40Wp-p, 87dB (1W/1M) 8Ω (6.9Ωdc) 70-20KHz (±6dB)

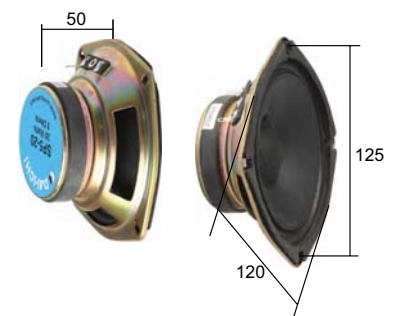
Fo 170Hz
 Qms 2.97
 Qes 1.27
 Qts 0.62
 Vas 1.01L
 Code S0DC4-41



4½" WIDE RANGE SPEAKER

Foam Surround Paper Cone 20Wnom/35Wmax 89dB (1W/1M) 8Ω (7.4Ωdc) 70-10KHz (±6dB)

Fo 126Hz
 Qms 3.13
 Qes 1.03
 Qts 0.78
 Vas 2.41L
 Code S0SP5-20



4" WIDE RANGE SPEAKER 4Ω

Foam Surround High compliance Paper Cone Large Magnet 20Wnom 83dB (1W/1M) 4Ω (3.5Ωdc) 60-10KHz (±6dB)

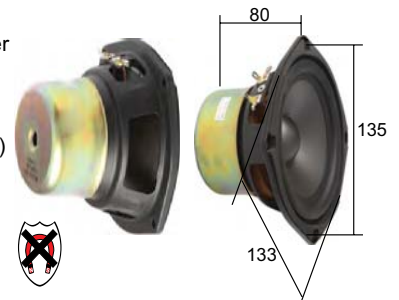
Fo 115Hz
 Qms 3.06
 Qes 1.32
 Qts 0.92
 Vas 1.23L
 Code S0SP4-24



5" MAGNETICALLY SHIELDED

High Quality Polypropylene cone Rubber surround Ideal for home theatre close-to CRT TV, etc. 30Wnom/50Wmax 86dB (1W/1M) 8Ω (6.2Ωdc) 60-8KHz (±3dB) 40-12KHz (±6dB)

Fo 65Hz
 Qms 4.39
 Qes 0.73
 Qts 0.63
 Vas 7.03L
 Code S0SP5-30



4" WIDE RANGE SPEAKER 8Ω

Foam Surround High compliance Paper Cone Large Magnet 20Wnom/40Wmax 85dB (1W/1M) 8Ω (6.9Ωdc) 45-11KHz (±6dB)

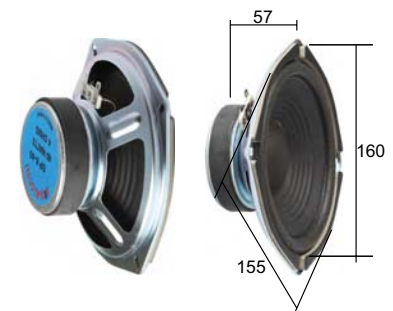
Fo 115Hz
 Qms 3.46
 Qes 0.81
 Qts 0.65
 Vas 1.10L
 Code S0SP4-20



6" WIDE RANGE SPEAKER

Paper cone Silver dust cap General Purpose 40Wnom/60Wmax 90dB (1W/1M) 4Ω (3.8Ωdc) 60-7KHz (±6dB)

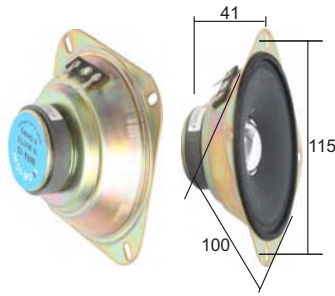
Fo 83Hz
 Qms 3.31
 Qes 0.97
 Qts 0.75
 Vas 10.34L
 Code S0SP6-40



4" SEALED BACK MIDRANGE

SQUARE FRAME

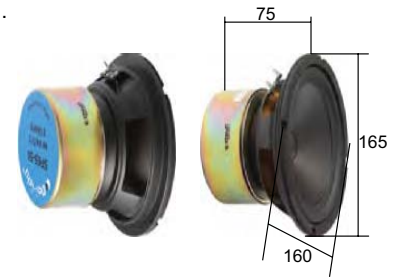
Pmax	15W
Impedance	8Ω (6.8Ω)
Freq.	330Hz - 6KHz
Sens.	92dB
Code	S0MR4-15



6" MID-WOOFER 50W

Paper Cone. Foam Surround.
Magnetically shielded.

Z	8Ω (7.2Ωdc)
Freq.	47Hz - 5KHz (±6dB)
Fo	63Hz
Sens.	89dB
Power	50W nom.
Qms	2.54
Qes	0.96
Qts	0.50
Vas	23.73L
Code	S0SP65-50



4" SEALED BACK MIDRANGE

ROUND FRAME

4 inch Above mount black metal frame. Rubber surround High compliance 8Ω (5.9Ωdc) 30 watts 95dB sens' 370-5KHz (±3dB)

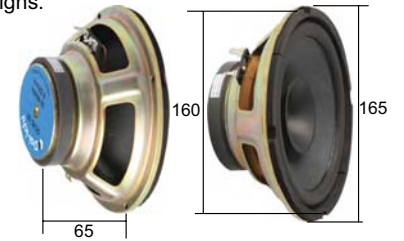
Fo	530Hz
Qms	4.21
Qes	2.76
Qts	1.67
Code	S0MR4-40



6" DUAL CONE SPEAKER

Paper Cone. Foam Surround.
Whizzer cone for extended highs.

Z	8Ω (7.0Ωdc)
Freq.	55Hz - 18KHz (±6dB)
Fo	60Hz
Power	30W nom.
Sens.	90dB
Qms	3.31
Qes	0.88
Qts	0.69
Vas	24.18L
Code	S0DC65-30



5" SEALED BACK MIDRANGE

5 inch. Paper cone. General Replacement. 8Ω (7.0Ωdc) 30W rms 450-6.5KHz (±3dB) 91dB sens' 3.6oz mag. Voice 20mm For Higher Power.

Fo	623Hz
Qms	4.12
Qes	3.74
Qts	1.96
Code	S0MR5-30



6" MID-WOOFER ALLOY FRAME

Super-strong Aluminium basket
Optimised doped paper pulp cone
Santropene rubber surround
32mm Aluminium voice coil
Open voice coil low compression
Ventilated & extended pole piece

Power	70Wrms/140Wmax
SPL	86.9dB
Fs	48.5Hz
Qms	2.089
Qes	0.558
Vas	15.6L
Re	7.6Ω
Code	S0W6S-52



5" SEALED BACK MIDRANGE

ROUND FRAME

5 inch Above mount black metal frame. Rubber surround High compliance 8Ω (7.0Ωdc) 50W rms 94dB sens' 470-6.5KHz (±3dB)

Fo	620Hz
Qms	4.12
Qes	3.74
Qts	1.96
Code	S0MR5-50



6½" HF/R MID-WOOFER

Paper pulp. Poly doped cone. Beautifully finished driver. Low resonance Rubber surround. Matte black powder coated Steel stamped frame ROUND. Magnetically shielded.

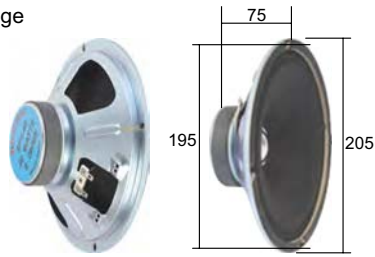
Pmax	50W	100W
R	8Ω (6.4Ω dc)	8Ω (6.4Ω dc)
Freq.	60Hz - 5KHz	60Hz - 5KHz
Sens.	90dB	90dB
Qms	4.993	4.36
Qes	1.41	0.85
Vas	17.9L	16.6L
Code	HFR165-50-8	HFR165-100-8



8" WIDE RANGE SPEAKER

Classic paper cone wide-range with chrome dust cap.

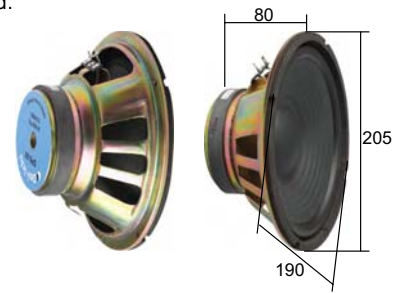
Freq.	80Hz - 9KHz (±10dB)
Fs	55Hz
Re	8.0Ω
Mag.	350g (12.3oz)
Power	40W max
Code	S0SP8-40



8" WOOFER 50W

Paper Cone. Foam Surround.

Z	8Ω (7.4Ωdc)
Freq.	40Hz - 5KHz (±6dB)
Fo	53Hz
Sens.	90dB
Mag.	11 Oz
Voice	38mm
Power	50W nom.
Qms	1.79
Qes	1.26
Qts	0.74
Vas	47.28L
Code	S0SP8-50



8" DUAL CONE SPEAKER

Paper Cone. Foam Surround. Whizzer cone for extended highs.

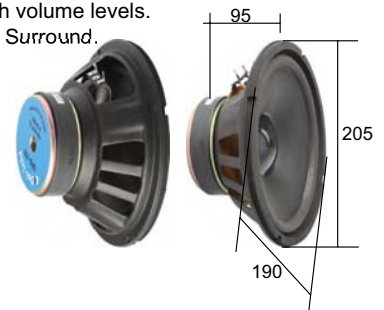
Z	8Ω (7.1Ωdc)
Freq.	50Hz - 20KHz (±6dB)
Fo	54Hz
Sens.	91dB
Mag.	8 Oz
Power	30W nom.
Voice	25mm
Qms	2.32
Qes	0.91
Qts	0.65
Vas	47.11L
Zo	24Ω
Sd	0.022M²
Code	S0DC8-30



8" POLYPROPYLENE WOOFER

Minimum cone break-up at high volume levels. Heavy duty construction Foam Surround.

Z	8Ω (6.5Ωdc)
Freq.	30Hz - 5KHz (±6dB)
Fo	38Hz
Sens.	88dB
Mag.	20 Oz
Power	100W nom.
Qms	6.75
Qes	0.74
Qts	0.67
Vas	53.10L
Code	S0SP8-100



8" WOOFER 30W

Paper Cone. Foam Surround.

Z	8Ω (7.0Ωdc)
Freq.	40Hz - 6KHz (±6dB)
Fo	44Hz
Sens.	90dB
Mag.	8 Oz
Voice	25mm
Power	30W nom.
Qms	2.20
Qes	0.80
Qts	0.59
Vas	61.23L
Code	S0SP8-30



8" INSTRUMENTAL 100W

Large gauge design Accordion/doped cloth surround Reinforced cellulose fibre cone.

Z	8Ω (6.1Ωdc)
Freq.	65Hz - 4KHz (±3dB)
Fo	95Hz
Sens.	90dB
Mag.	20 Oz
Voice	32mm
Power	200W max
Qms	6.55
Qes	1.48
Qts	1.21
Vas	10.2L
Code	S0IS8000



8" WOOFER HF/R SERIES

Paper pulp. Poly doped cone. Rivals some more exotic brands.

R	8Ω (6.4Ω dc)
Freq.	42Hz - 5KHz
Sens.	88dB
Pnom	100 Watts
Pmax	100W
Code	S0HFR200-100-8



8" SUBWOOFER 4Ω DELUXE

Treated pulp cone for extended low frequency without cone breakup. 2" Aluminium voice coil. Strontium magnet. 80Wrms.

Z	4Ω (3.9Ω)
Freq.	36Hz - 8KHz (±3dB)
Fo	36Hz
Sens.	88dB
Mag.	110mm 20 Oz
Power	160W max.
Qms	5.45
Qes	0.59
Qts	0.53
Vas	46.1L
Code	S0CS80

Hole	185mm
Outer	205mm
Mag.	110mm
Depth	90mm



10" WOOFER 40W

Paper Cone. Foam Surround.

Z	8Ω (7.0Ωdc)
Freq.	44Hz - 4KHz (±6dB)
Fo	50Hz
Sens.	89dB
Mag.	8 Oz
Power	40W nom.
Qms	3.32
Qes	1.75
Qts	1.15
Vas	73.02L
Code	S0SP10-40



10" POLYPROPYLENE WOOFER 120W

Minimum cone break-up at high volume levels. Heavy duty construction Foam Surround.

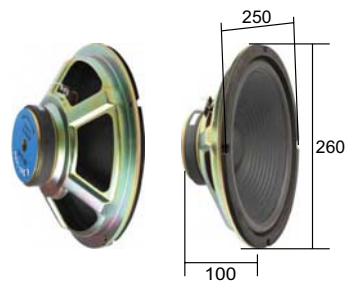
Z	8Ω (6.0Ωdc)
Freq.	33Hz - 5KHz (±6dB)
Fo	45Hz
Sens.	93dB
Power	200W max.
Qms	6.65
Qes	0.57
Qts	0.52
Vas	72.68L
Code	S0SP10-120



10" WOOFER 80W

Paper Cone. Foam Surround.

Z	8Ω (7.0Ωdc)
Freq.	40Hz - 5KHz (±6dB)
Fo	42Hz
Sens.	89dB
Mag.	13 Oz
Power	80W nom.
Qms	3.23
Qes	3.23
Qts	1.08
Vas	101.62L
Code	S0SP10-80



10" INSTRUMENTAL 200W

Large gauge design Accordion/doped cloth surround Reinforced cellulose fibre cone.

Z	8Ω (5.7Ωdc)
Freq.	33Hz - 5KHz
Fo	63Hz
Sens.	94dB
Mag.	30 Oz
Voice	32mm
Power	400W max
Qms	4.34
Qes	0.79
Qts	0.67
Vas	50L
Code	S0IS10000



10" SQUARE FRAME WOOFER 40W

Paper Cone. Foam Surround.

Freq.	40Hz - 4KHz (±6dB)
Power	40W nom.
Z	8Ω (6.4Ωdc)
Fo	50Hz
Sens.	89dB
Mag.	8 Oz
Qms	4.09
Qes	1.54
Qts	1.12
Vas	58.55L
Code	S0SQ10-40



10" SUB-WOOFER

High performance paper cone and poly dust cap. Butyl rubber roll surround and oversized spider for extra cone travel. Rear ventilated.

Power	150Wrms 300Wmax
Impedance	4Ω
Res.	56.23Hz
Sens.	89dB
Mag.	140x20mm (38oz.)
Size	260mmØ
Qts	0.88
Box	0.8F ³ min.
Code	S0X100SVC



10" SQUARE FRAME WOOFER 80W

Paper Cone. Foam Surround.

Z	8Ω (6.4Ωdc)
Freq.	40Hz - 2KHz (±6dB)
Fo	47Hz
Sens.	90dB
Mag.	13 Oz
Power	80W nom.
Qms	3.46
Qes	1.01
Qts	0.78
Vas	73.47L
Code	S0SQ10-80

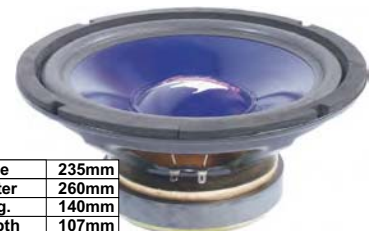


10" SUBWOOFER 4Ω DELUXE

Treated pulp cone for extended low frequency without cone breakup. 1.5" Aluminium voice coil. Strontium magnet. 100Wrms.

Z	4Ω (4.0Ω)
Freq.	35Hz - 6KHz (±3dB)
Fo	34.8Hz
Sens.	89dB
Mag.	140mm 40 Oz
Power	200W max.
Qms	5.07
Qes	0.47
Qts	0.43
Vas	74.9L
Code	S0CS100

Hole	235mm
Outer	260mm
Mag.	140mm
Depth	107mm



12" WOOFER 50W

Paper Cone. Foam Surround.

Z	8Ω (7.4Ωdc)
Freq.	30Hz - 4KHz
Fo	32Hz
Sens.	90dB
Mag.	13 Oz
Voice	32mm
Power	50W nom.
Qms	2.22
Qes	1.03
Qts	0.70
Vas	188.33L
Code	S0SP12-50



12" WOOFER POLYPROPYLENE 150W

Minimum cone break-up at high volume levels. Heavy duty construction Foam Surround.

Z	8Ω (6.6Ωdc)
Freq.	30Hz - 4KHz (±6dB)
Fo	35Hz
Sens.	94dB
Mag.	40 Oz
Power	150W nom.
Qms	3.18
Qes	0.44
Qts	0.38
Vas	157.45L
Code	S0SP12-150



12" WOOFER 100W

Paper Cone. Foam Surround.

Z	8Ω (7.2Ωdc)
Freq.	33Hz - 4KHz
Fo	32Hz
Sens.	93dB
Mag.	30 Oz
Voice	38mm
Power	100W nom.
Qms	1.42
Qes	0.47
Qts	0.35
Vas	188.56L
Code	S0SP12-100



12" INSTRUMENTAL 250W

Large gauge design Accordion/doped cloth surround Reinforced cellulose fibre cone.

Z	8Ω (5.7Ωdc)
Freq.	32Hz - 5KHz
Fo	55Hz
Sens.	95dB
Mag.	50 Oz
Voice	32mm
Power	250W nom.
Qms	5.15
Qes	0.74
Qts	0.65
Vas	88.1L
Code	S0IS12000



12" SQUARE FRAME WOOFER 50W

Steel frame, Paper Cone, Foam Surround

Impedance	8Ω (9.2Ω)
Re	9.2Ω
Freq.	27Hz - 3kHz
Fo	32Hz
Sens.	90dB
Voice	32mm
Power	50W nom.
Qms	4.39
Qes	2.07
Qts	1.4
Vas	276.77L
Code	S0SQ12-50



12" SUB-WOOFER

High performance Heavy Duty Sub. Solid die cast alloy basket frame. Gold-plated 4mm binding posts. Large over-sized magnet.

Power	200Wrms, 400Wmax
Impedance	4Ω
Res.	68.41Hz
Sens.	90dB
Mag.	156x20mm
Size	310mmØ
Qts	1.003
Box	1.0" min.
Code	S0X120SVC



12" SQUARE FRAME WOOFER 100W

Paper Cone. Foam Surround.

Z	8Ω (6.6Ωdc)
Freq.	33Hz - 5KHz
Fo	35Hz
Sens.	94dB
Mag.	30 Oz
Voice	38mm
Power	100W nom.
Qms	1.92
Qes	0.52
Qts	0.41
Vas	184.28L
Code	S0SQ12-100



12" SUBWOOFER 4Ω DELUXE

Poly' doped cone for extended low frequency without cone breakup. 2" Aluminium voice coil. Strontium magnet. 150Wrms.

Z	4Ω (4.7Ω)
Freq.	25Hz - 5KHz (±3dB)
Fo	25.0Hz
Sens.	91dB
Mag.	155mm 50 Oz
Power	300W max.
Qms	5.46
Qes	0.35
Qts	0.33
Vas	202.7L
Code	S0CS120



Hole	270mm
Outer	300mm
Mag.	155mm
Depth	125mm

15" WOOFER 150W

Suit power hungry HiFi or moderate PA/Guitar, etc. High compliance (304uM/N) Paper Cone. Foam Surround.

Z	8Ω (7.2Ωdc)
Freq.	27Hz - 4KHz
Fo	32Hz
Sens.	94dB
Mag.	50 Oz
Voice	50mm
Power	150W nom.
Qms	2.01
Qes	0.53
Qts	0.42
Vas	265.20L
Code	S0SP15-150



15" INSTRUMENTAL

Strengthened suspension long throw system for the rugged use in PA sound reinforcement.

Z	8Ω (7.2Ωdc)
Freq.	33Hz - 4KHz
Fo	45Hz
Sens.	95dB
Mag.	50 Oz
Voice	50mm
Power	150W nom.
Qms	3.18
Qes	0.83
Qts	0.65
Vas	207.75L
Code	S0IS15-150



TARGA 15" SUB-WOOFER

High performance paper cone and poly dust cap. Solid die cast alloy basket frame. Premium build quality for automotive or home audio subwoofer applications. Suit sealed or vented boxes.

Power	250Wrms, 500Wmax
Impedance	4Ω
Re	-
Sens.	90dB
Qts	1.339
Size	385mmØ
Box Size	1.4F ³ min
Mag.	156x20mm
Code	S0X150SVC



Hole-Cut = 360mm
Mounting Holes = 372
Depth = 175mm

BLACK DRESS SPEAKER SCREWS

3mm ALLEN HEX	
Size	Code
4mm	S0AS420-20
7mm PHILLIPS/HEX	
Size	Code
8G x 20mm	S0STS7B
8mm PHILLIPS/HEX	
7.8/8.8mm	5x25mm
Size	Code
10G x 25mm	S0STS8B



REAR Baffle

Rear baffle for enclosing car audio 6x9" speakers. Can be used for other mid-range type applications in your speaker building. Sold in pairs.

210x175x90mm(Deep)

Code
S0AP6900



LIGHTNING SUBWOOFER GRILLES - AERPRO

GUN-METAL GREY

Beautifully metallic finish. Enhances your speaker with style. Easily mounts over all types of enclosures

Size	QTY	Code
10"	1	S0ACG10
12"	1	S0ACG12



SPEAKER GRILLES

Strong metal construction and universal mounting system for protecting valuable speaker cones from accidental puncture.

Size	Code
8"	S0MG80
10"	S0MG100
12"	S0MG120
15"	S0MG150



CEILING/WALL MOUNT

White frame & grille 1
Piece plastic.
Suit DC8-30, etc.

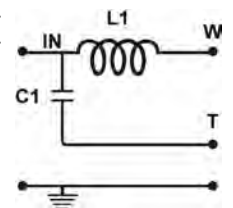
Size	Code
8"	S0CSG8
4"	S0CSG4

6dB CROSSOVER VALUES

Courtesy Stones Sound Studio

Pick your desired crossover point, within the over-lap frequency response of the two drivers, this is the -3dB value. Read off the four component values, components within 10% will be fine.

-3dB	L-4Ω	C-4Ω	L-8Ω	C-8Ω
130Hz	4.7mH	300uF	10mH	150μF
200Hz	3.3mH	200uF	6.8mH	100μF
260Hz	2.4mH	150uF	4.7mH	75μF
400Hz	1.6mH	100uF	3.3mH	50μF
600Hz	1.0mH	68uF	2.0mH	33μF
800Hz	.82mH	50uF	1.6mH	26μF
1000Hz	.62mH	39uF	1.2mH	20μF
1200Hz	.51mH	33uF	1.0mH	16μF
1800Hz	.33mH	22uF	.68mH	10μF
4000Hz	.16mH	10uF	.33mH	5μF

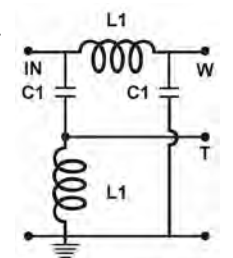


12dB CROSSOVER VALUES

Courtesy Stones Sound Studio

A 12dB crossover gives better filtering, at the expense of more components. Benefits include better sound as drivers are sharing less spectrum, improved power handling & protection and in-phase driver response at fx.

-3dB	L-4Ω	C-4Ω	L-8Ω	C-8Ω
130Hz	6.8mH	200uF	15mH	100μF
200Hz	4.7mH	150uF	9.1mH	75μF
260Hz	3.6mH	100uF	6.8mH	50μF
400Hz	2.2mH	68uF	4.7mH	33μF
600Hz	1.5mH	47uF	3.0mH	27μF
800Hz	1.0mH	33uF	2.0mH	15μF
1000Hz	.91mH	27uF	1.8mH	13μF
1200Hz	.75mH	22uF	1.5mH	11μF
1800Hz	.50mH	15uF	1.0mH	6.8μF
4000Hz	.22mH	6.8uF	.47mH	3.3μF



Speaker Drivers Universal

High Fidelity Series

HIGH FIDELITY SERIES SPEAKERS

STAMPED STEEL FRAME
PAPER PULP DOPED CONE
RUBBER ROLL SURROUND
MAGNETICALLY SHIELDED*
ADVANCED ACOUSTICS

High performance and beautiful sounding drivers. Sturdy build quality in a compact package for today's demanding audio requirements. Excellent solution for repair or design of high grade, yet space efficient audio with home theatre or music in compact installations.

*8" Drivers and above are not magnetically shielded

3 1/2" HF/S MID-WOOFER

Paper pulp. Poly doped cone. Large exertion design 88dB! Rubber surround. All black. Steel stamped frame square. Magnetically shielded. Excellent 100Hz to 12KHz+

R 8Ω (6.4Ω dc)
Freq. 100Hz - 12KHz
Sens. 88dB
Pnom 8 Watts
Pmax 15W
Code S0HFS89-15-8



1 1/2" HF/S MID-WOOFER

Paper pulp cone & dust cap. Magnetically shielded. Cloth doped surround. Remarkable sound from such a compact driver. Down to 200Hz! Amazing.

R 8Ω (6.4Ω dc)
Freq. 200Hz - 12KHz
Sens. 85dB
Pnom 5 Watts
Pmax 10W
Code S0HFS38-10-8



4" HF/R MID-WOOFER

Paper pulp. Poly doped cone. Large exertion design 88dB! Rubber surround. All black. Steel stamped frame ROUND. Magnetically shielded. Use as a mid or mid-woofer.

R 8Ω (6.4Ω dc)
Freq. 75Hz - 10KHz
Sens. 88dB
Pnom 12 Watts
Pmax 25W
Code S0HFR100-25-8



2 1/2" HF/S MID-WOOFER

Paper pulp cone full range. Large exertion design 88dB! Rubber surround. All black. Steel stamped frame square. Magnetically shielded. Impressive 135Hz to 15KHz+

R 8Ω (6.4Ω dc)
Freq. 135Hz - 15KHz
Sens. 88dB
Pnom 8 Watts
Pmax 15W
Code S0HFS64-15-8



4" HF/S MID-WOOFER

Paper pulp. Poly doped cone. Large exertion design 88dB! Rubber surround. All black. Steel stamped frame square. Magnetically shielded. Use as a mid or mid-woofer.

R 8Ω (6.4Ω dc)
Freq. 75Hz - 10KHz
Sens. 88dB
Pnom 12 Watts
Pmax 25W
Code S0HFS100-25-8



3" HF/S MID-WOOFER

Paper pulp cone full range. Large exertion design. Rubber surround. All black. Steel stamped frame square. Magnetically shielded. Wide range 129Hz - 10KHz+

R 8Ω (6.4Ω dc)
Freq. 129Hz - 10KHz
Sens. 88dB
Pnom 8 Watts
Pmax 15W
Code S0HFS76-15-8



5 1/4" HF/R MID-WOOFER

Paper pulp. Poly doped cone. Suit Sealed or ported enclosure. Use as a Woofer or mid-range. Low resonance Rubber surround. Matte black powder coated steel. Magnetically shielded.

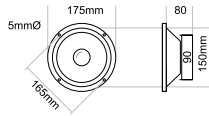
R 8Ω (6.4Ω dc)
Freq. 50Hz - 5KHz
Sens. 89dB
Pnom 30 Watts
Qms 4.925
Qts 0.903
Qes 1.105
Vas 6.32L
Code S0HFR125-30-8



6 1/2" HF/R MID-WOOFER

Paper pulp. Poly doped cone.
Beautifully finished driver. Low
resonance Rubber surround.
Matte black powder coated
Steel stamped frame ROUND.
Magnetically shielded.

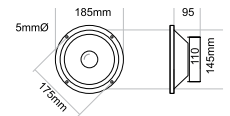
R	8Ω (6.4Ω dc)
Freq.	60Hz - 5KHz
Sens.	90dB
Pnom	50 Watts
Qms	4.993
Qts	1.099
Qes	1.41
Vas	17.9L
Code	S0HFR165-50-8



6 1/2" HF/R MID-WOOFER HI-POWER

Paper pulp. Poly doped cone.
Beautifully finished driver. Low
resonance Rubber surround.
Matte black powder coated
Steel stamped frame ROUND.
Magnetically shielded.

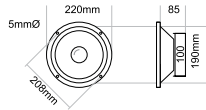
R	8Ω (6.4Ω dc)
Freq.	60Hz - 5KHz
Sens.	90dB
Pnom	100 Watts
Qms	4.36
Qts	0.71
Qes	0.85
Vas	16.6L
Code	S0HFR165-100-8



8" HF/R WOOFER

Paper pulp. Poly doped cone.
Similar to some European drivers.
Low resonance Rubber surround.
Matte black powder coated Steel
stamped frame ROUND. Suit
wide range 2 way system.

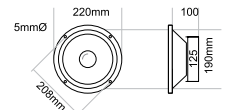
R	8Ω (6.4Ω dc)
Freq.	46Hz - 5KHz
Sens.	88dB
Pnom	50 Watts
Pmax	50W
Code	S0HFR200-50-8



8" HF/R WOOFER HI-POWER

Paper pulp. Poly doped cone.
Rivals some more exotic brands.
Low resonance Rubber surround.
Matte black powder coated Steel
stamped frame ROUND. High
power oversized magnet.

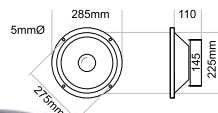
R	8Ω (6.4Ω dc)
Freq.	42Hz - 5KHz
Sens.	88dB
Pnom	100 Watts
Pmax	100W
Code	S0HFR200-100-8



10" HF/R WOOFER HI-POWER

Paper pulp. Poly doped cone.
Suit 2 or 3 way wide range. Low
resonance Rubber surround.
Matte black powder coated Steel
stamped frame ROUND. High
power oversized magnet.

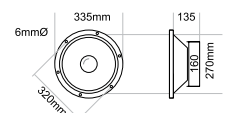
R	8Ω (6.4Ω dc)
Freq.	35Hz - 3KHz
Sens.	88dB
Pnom	150 Watts
Qms	4.20
Qts	0.684
Qes	0.817
Vas	49.5L
Code	S0HFR250-150-8



12" HF/R WOOFER HI-POWER

Paper pulp. Poly doped cone.
Big performance wide range.
Low resonance Rubber surround.
Matte black powder coated Steel
stamped frame ROUND. Wide
range woofer or Sub.

R	8Ω (6.4Ω dc)
Freq.	30Hz - 3KHz
Sens.	89dB
Pnom	150 Watts
Qms	4.269
Qts	0.768
Qes	0.936
Vas	85.0L
Code	S0HFR300-150-8



□ Super Resolution Series

ALUMINIUM FRAME BASKET
PAPER PULP DOPED CONE
RUBBER ROLL SURROUND
OPEN AIR VOICE COIL
VENTILATED POLE PIECE

EUROPEAN STYLE DRIVERS

This new generation of drivers show that premium audio is no longer the exclusive to European manufacturers. Improved quality control procedures Advancements in construction materials Available technologies and techniques Remarkable acoustics are now affordable to mainstream replacement applications now quite worthy of your consideration Dai1chi SRS. Made in the Philippines.

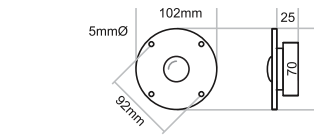


1" DOME TWEETER - SUPER RESOLUTION SERIES

102mm FASCIA W/ GRILLE

25mm Pure aluminium dome cap extends high frequencies. Bright and clear high-end. Design reduces any ringing. Doped cloth roll surround. Tuned Acoustic damped chamber. Most resonances are moved to below the crossover point. Ferro fluid cooled high power. Plastic fascia. Metal grille.

Re	6.0Ω
Fs	1400Hz
Freq.	1.4Khz - 20KHz
Power	25Wrms/60Wmax
Code	S0DTSR25

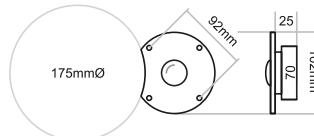


1" DOME TWEETER CUT - SUPER RESOLUTION SERIES

CONTIGUOUS TO 6½"

Cut arc diameter suits most 6.5" 165mm driver frames O/D. 25mm Pure aluminium dome cap. Bright and clear high-end. Low-resonance design. Doped cloth roll surround. Tuned Acoustic damped chamber. Ferro fluid cooled high power. Plastic fascia. Metal grille.

Re	6.0Ω
Sens.	90dB
Fs	1400Hz
Freq.	1.4Khz - 20KHz
Power	25Wrms/50Wmax
Code	S0DTSC25

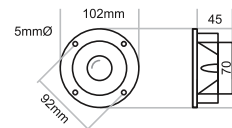


1" DOME TWEETER HORN-LOADED - SUPER RESOLUTION SERIES

HIGH EFFICIENCY DESIGN

Suit efficient multi-array's and/or long-throw applications. Also improves time alignment by 25mm (Depth). Pure aluminium dome design for extended highs with Doped cloth roll surround that reduces any ringing and an acoustic damped chamber for accurate tuning. Ferro fluid cooled high power aluminium voice coil.

Re	6.0Ω
Sens.	92dB
Fs	1000Hz
Freq.	1.4Khz - 20KHz
Power	25Wrms/50Wmax
Code	S0HTW25



4" WOOFER - SUPER RESOLUTION SERIES

ALLOY FRAME & HIGH POWER

Aerodynamic Aluminium basket.
Polypropylene cone & cap. Santoprene
rubber surround 1" Aluminium voice coil.
Open voice coil ventilation. Ventilated
centre pole piece.

Fs	70Hz
Re	6.2Ω
SPL	86dB
Qms	18.61
Qes	0.380
Qts	0.373
Vas	2.189L
Power	40Wrms/80Wmax
Code	S0AW4-30



6 1/2" WOOFER - SUPER RESOLUTION SERIES

ALLOY FRAME & HIGH POWER 8Ω

Super-strong Aluminium basket. Optimised doped paper pulp cone.
Santoprene rubber surround. 32mm Aluminium voice coil. Open
voice coil low compression. Ventilated & extended pole piece.

Re	7.6Ω
Fs	48.5Hz
SPL	86.9dB
Qms	2.089
Qes	0.558
Vas	15.6L
Code	S0W6S-52



8" WOOFER - SUPER RESOLUTION SERIES

ALLOY FRAME & HIGH POWER

Super-strong Aluminium basket. Optimised doped paper pulp cone.
Santoprene rubber surround. 32mm Aluminium voice coil. Open voice
coil for low compression. Ventilated & extended pole piece.

4 OHM

Fs	43.0Hz
Re	3.8Ω
SPL	88dB
Qms	2.551
Qes	0.673
Vas	31.01L
Power	70Wrms/140Wmax
Code	S0W8S-50

8 OHM

Fs	43.0Hz
Re	7.6Ω
SPL	88dB
Qms	2.551
Qes	0.673
Vas	31.01L
Power	70Wrms/140Wmax
Code	S0W8S-52



□ PA Horn Tweeters

3¼" HOR BULLET

22mmØ PIEZO 50Wrms KSN1005A REPLACEMENT

Piezo horn loaded tweeter.
Replacement for KSN1005A
22mm Ceramic Piezo 50Wrms
60mm deep Exponential horn.

Size	80x80mm
Power	75Wmax
Sens.	94dB
Freq.	4KHz - 27KHz
Code	S0PZ1005

Piezo element
high power so no
crossover required



5" HORN

22mmØ PIEZO 50Wrms KSN1016A REPLACEMENT

Piezo horn loaded tweeter.
Replacement for KSN1016A
22mm Ceramic Piezo 50Wrms
50mm deep Exponential horn.

Size	146x70mm
Power	75Wmax
Sens.	92dB
Freq.	3KHz - 40KHz
Code	S0PZ1016



4" HORN BULLET

CERAMIC PIEZO 100W 100mm

Piezo horn loaded tweeter.
80mm square facia
Ceramic Piezo 100W
55mm deep Exponential horn.

Size	100x100mm
Power	100Wmax
Freq.	2KHz - 25KHz
Sens.	92dB
Code	S0HT100A



6" HORN

22mmØ PIEZO 50Wrms KSN1025 REPLACEMENT

Piezo horn loaded tweeter.
Replacement for KSN1025
22mm Ceramic Piezo 50Wrms
100mm deep Exponential horn.

Size	150x50mm
Power	75Wmax
Sens.	90dB
Freq.	1.8KHz - 30KHz
Code	S0PZ1025



4½" HORN BULLET

22mmØ PIEZO 200Wrms KSN1165 REPLACEMENT

Piezo horn loaded tweeter.
Replacement for KSN1165
22mm Ceramic Piezo 200Wrms
75mm deep Exponential horn.

Size	110x110mm
Power	120Wmax
Sens.	92dB
Freq.	1.8KHz - 30KHz
Code	S0PZ1165



10" HORN HIFI*

DYNAMIC* SPEAKER CONE

Replacement for common CTS 10"
25mm Voice Coil. 600g Magnet.
210mm deep Exponential horn.
*Note: Requires cross-over.

Size	270x110mm
Power	200Wmax
Sens.	102dB
Freq.	1KHz - 15KHz
Impedance	8Ω
Code	S0HT1127



4½" HORN HIFI*

DYNAMIC* DOME 25mm 6Ω

Ferro fluid. Aluminium Dome
Doped Cloth Surround
*Note: Requires cross-over

Size	102mmØ Horn
Power	25Wrms/50Wmax
Sens.	92dB
Freq.	1.4KHz - 20KHz
Impedance	8Ω (6.0Ω)
Code	S0HTW25



7" HORN HIFI*

DYNAMIC DOME 25mm 8Ω

Soft roll-off high end response.
Poly woven soft dome 8Ω
*Note: Requires Cross-over

Size	170x65mm
Power	40Wrms 80Wp
Sens.	88dB
Freq.	1KHz - 12KHz
Impedance	8Ω (7.0Ω)
Code	S0HT115



HORN DRIVER ONLY

KSN1142A REPLACEMENT - REQUIRES HORN

Drop-In replacement for KSN1142A
Suits Motorola CTS 10" and 15" Horns.
35mm 1-3/8" 18-TPI Threaded
Piezo coupled paper cone
Popular PA tweeter

Size	62mmØ
Sens.	92dB
Freq.	1.8KHz - 30KHz
Power	120W 400W
Made	Copy Original
Code	PZ1142 KSN1142



HORN DRIVER ONLY MID

MID-RANGE PIEZO DRIVER - REQUIRES HORN

Drop-In replacement for KSN1188/A driver
22mm piezo ceramic coupled 3" paper cone.
Suits Motorola CTS 10" and 15" Horns.
35mm 1-3/8" 18-TPI Threaded
Larger cone area for
upper-mids. 10cm

Mount	18-TPI
Power	400Wmax
Sens.	93dB
Freq.	800Hz - 20KHz
Code	S0PZ1188



HORN BODY ONLY

10" & 15" - REQUIRES DRIVER

Req. 1142 / 1188 bullet drivers.
Molded plastic w/ metal thread.
35mm 1-3/8" 18-TPI Threaded.

Inch	10	15
Size	265x110x117mm	385x130x145mm
OEM	KSN1151	KSN1196
Code	HT1151	HT1196



□ PA Instrument

INSTRUMENTAL 8" 100W

Heavy Duty Daichi Speaker. Large gauge design Accordion/doped cloth surround Reinforced cellulose fibre cone.

Z	8Ω (6.1Ωdc)
Freq.	65Hz - 4KHz
Fo	95Hz
Sens.	90dB
Mag.	20 Oz
Voice	32mm
Power	200W max
Qms	6.55
Qes	1.48
Qts	1.21
Vas	10.2L
Code	S0IS8000



INSTRUMENTAL 10" 200W

Heavy Duty Daichi Speaker. Large gauge design Accordion/doped cloth surround Reinforced cellulose fibre cone.

Z	8Ω (5.7Ωdc)
Freq.	33Hz - 5KHz
Fo	63Hz
Sens.	94dB
Mag.	30 Oz
Voice	32mm
Power	400W max
Qms	4.34
Qes	0.79
Qts	0.67
Vas	50L
Code	S0IS10000



INSTRUMENTAL 12" 250W

Heavy Duty Daichi Speaker. Large gauge design Accordion/doped cloth surround Reinforced cellulose fibre cone. 500W max.

Z	8Ω (5.7Ωdc)
Freq.	32Hz - 5KHz
Fo	55Hz
Sens.	95dB
Mag.	50 Oz
Voice	32mm
Power	250W nom.
Qms	5.15
Qes	0.74
Qts	0.65
Vas	88.1L
Code	S0IS12000



INSTRUMENTAL 15" 150W

Heavy Duty Daichi Speaker. Strengthened suspension long throw system for the rugged use in PA sound reinforcement. 300W max.

Z	8Ω (7.2Ωdc)
Freq.	33Hz - 4KHz
Fo	45Hz
Sens.	95dB
Mag.	50 Oz
Voice	50mm
Power	150W nom.
Qms	3.18
Qes	0.83
Qts	0.65
Vas	207.75L
Code	S0IS15-150

