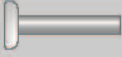
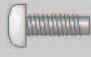



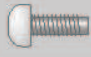
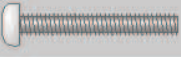
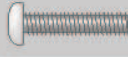

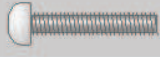


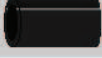


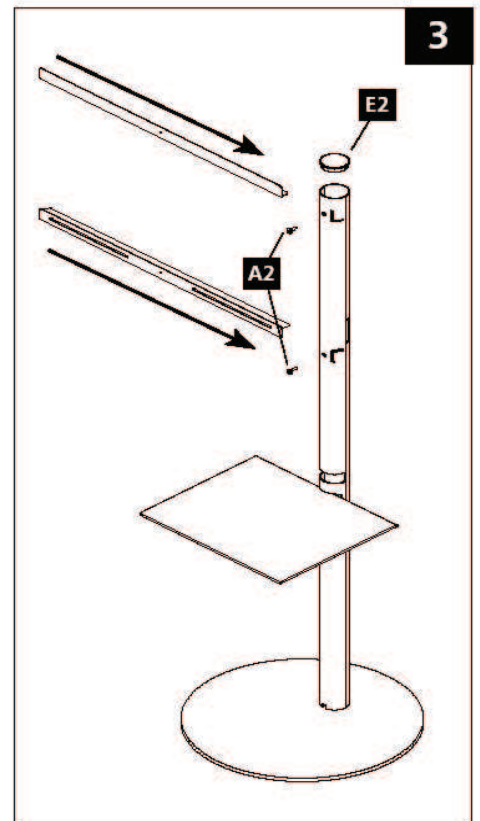
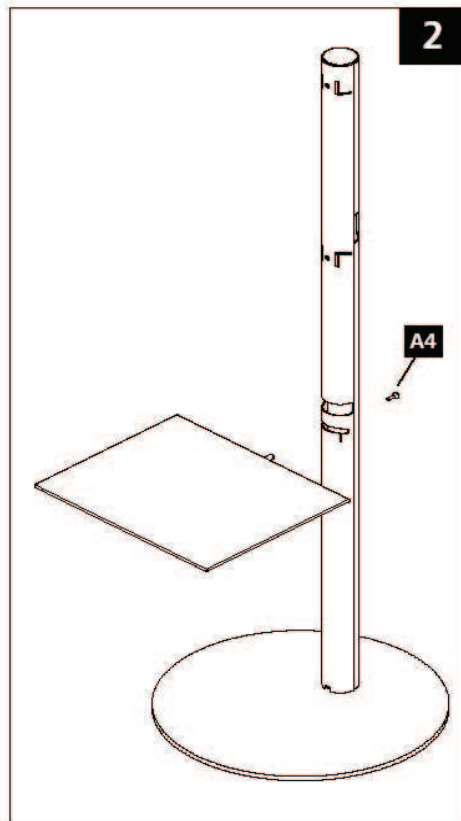
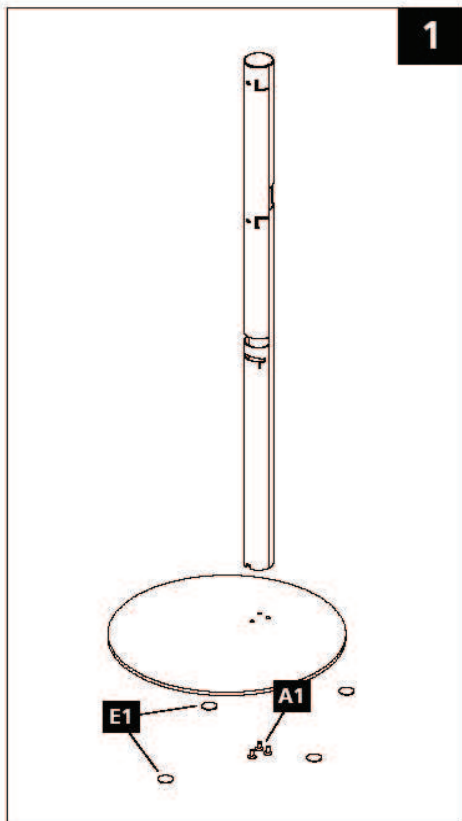
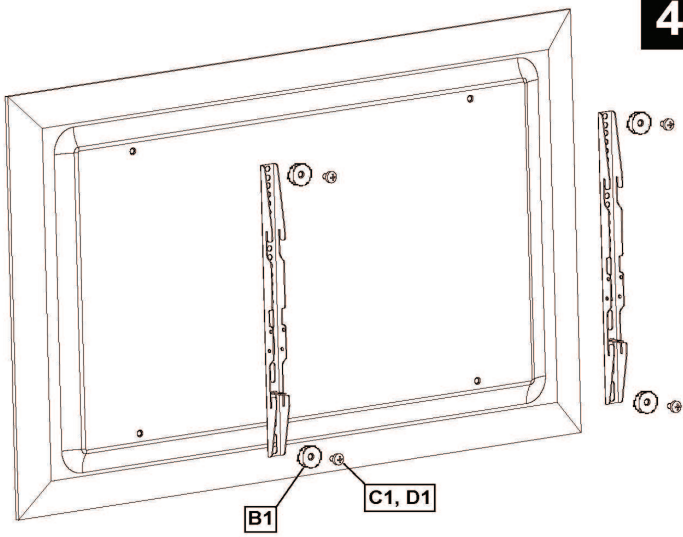


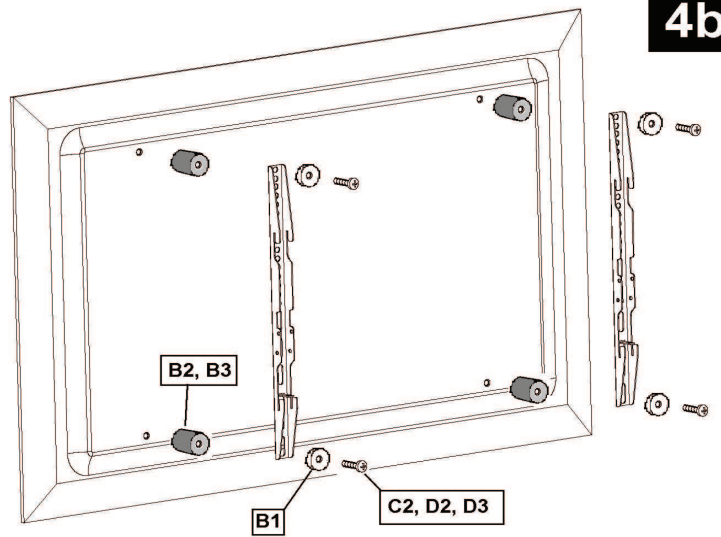
| kit | | | |
|--|-----------------|---|-----------------|
|  | (A1) M8x20 (x3) |  | (C1) M6x12 (x4) |
|  | (A2) M5x15 (x2) |  | (C2) M6x20 (x4) |
|  | (A3) M6x45 (x2) |  | (D1) M8x12 (x4) |
|  | (A4) M5x50 (x1) |  | (D2) M8x20 (x4) |
|  | (B1) D6 (x4) |  | (D3) M8x30 (x4) |
|  | (B2) Ø8x10 (x4) |  | (E1) (x4) |
|  | (B3) Ø8x20 (x4) |  | (E2) (x1) |
| | |  | (F1) (x4) |



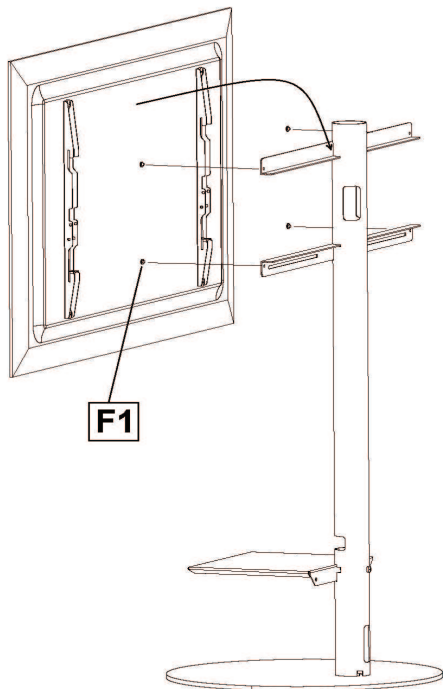
4a



4b



5



6

