

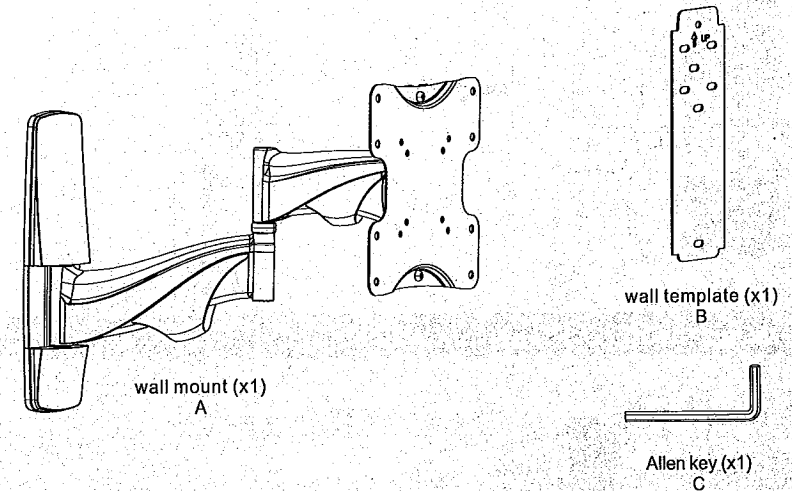
**NOTE:** Read the entire instruction manual before you start installation and assembly.

## ⚠ WARNING

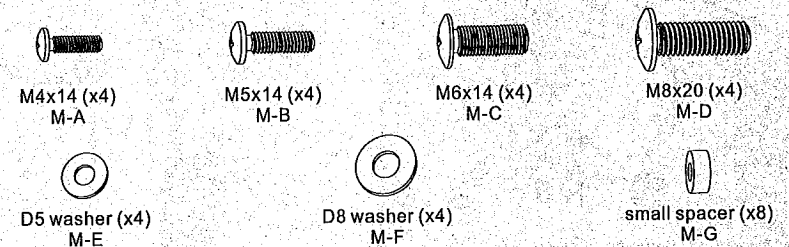
- Do not begin the installation until you have read and understood all the instructions and warnings contained in this installation sheet. If you have any questions regarding any of the instructions or warnings, please contact your local distributor.
- This mounting bracket was designed to be installed and utilised **ONLY** as specified in this manual. Improper installation of this product may cause damage or serious injury.
- This product should only be installed by someone with good mechanical ability who has basic building experience and fully understands this manual.
- Make sure that the supporting surface will safely support the combined weight of the equipment and all attached hardware and components.
- If mounting to wood wall studs, make sure that mounting screws are anchored into the center of the studs. The use of a stud finder is highly recommended.
- Always use an assistant or mechanical lifting equipment to safely lift and position the equipment.
- Tighten screws firmly, but do not over tighten. Over tightening can cause damage to the items, This greatly reduces their holding power.
- This product is intended for indoor use only. Using this product outdoors could lead to product failure and personal injury.

## Component Checklist

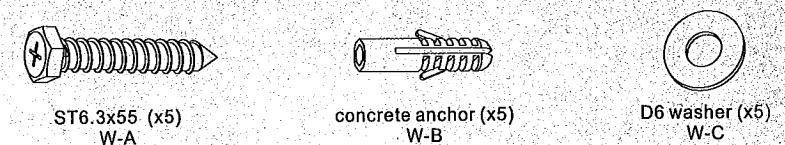
**IMPORTANT:** Ensure that you have received all parts according to the component checklist prior to installation. If any parts are missing or faulty, telephone your local distributor for a replacement.



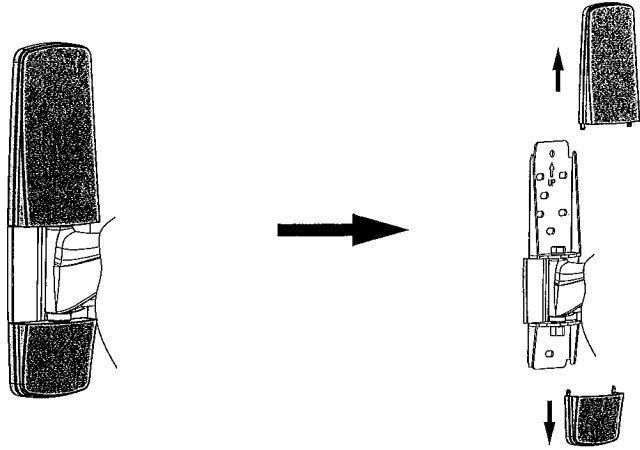
### Package M



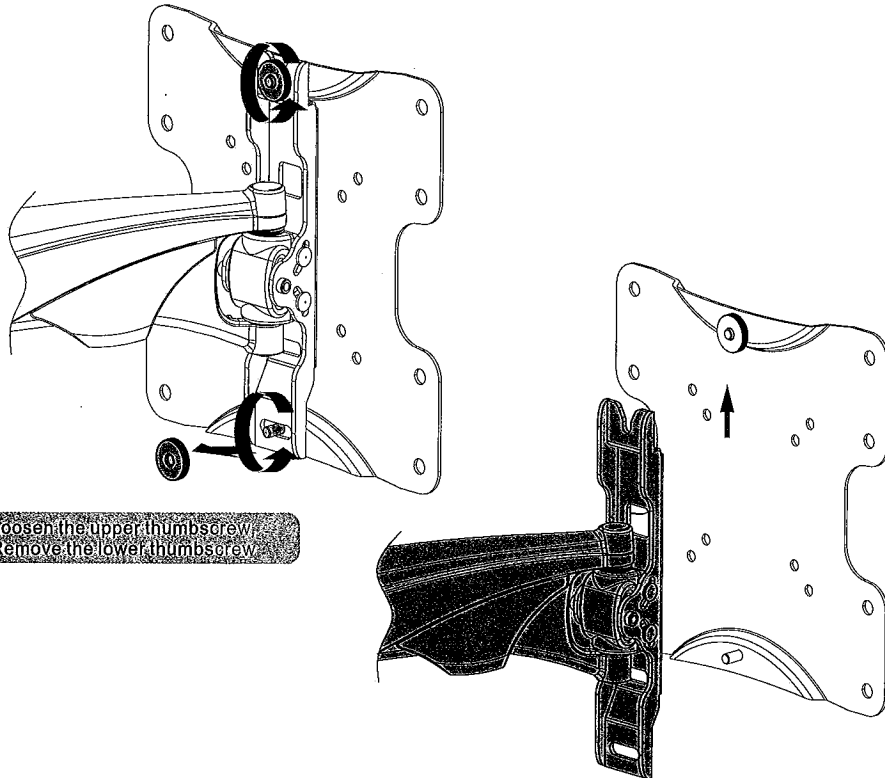
### Package W



## 1. Removing the Decorative Covers



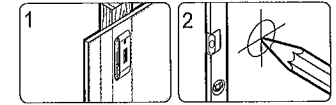
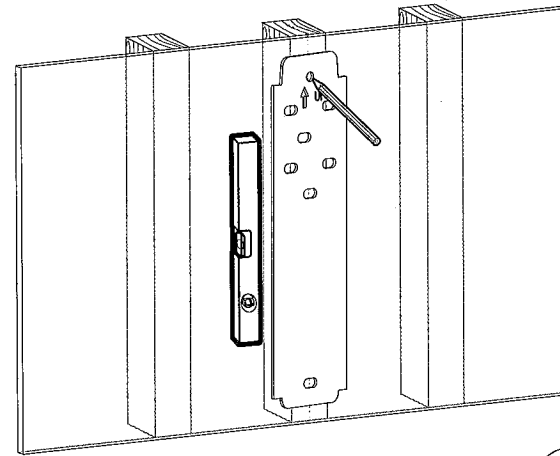
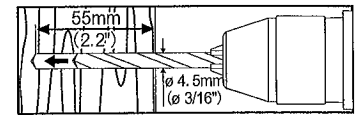
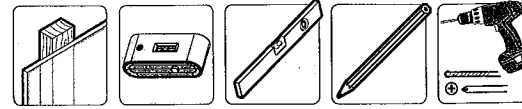
## 2. Separating the VESA Plate from Wall Mount



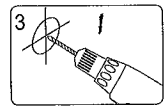
Loosen the upper thumbscrew.  
Remove the lower thumbscrew.

Remove the VESA plate.

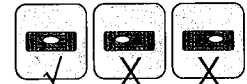
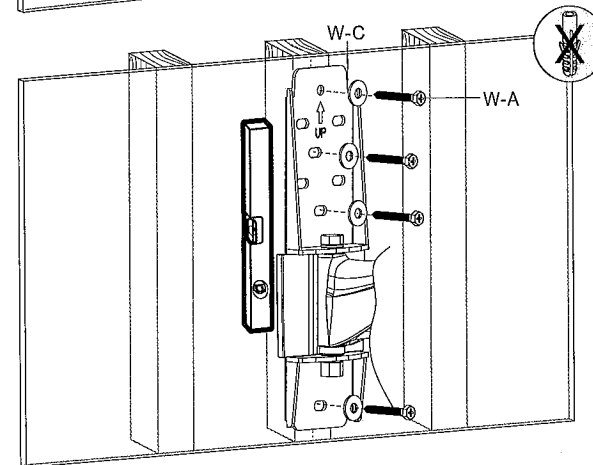
## 3a. For Wood Stud Wall Mounting



Find and mark the exact location of mounting holes



Drill pilot holes



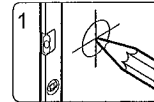
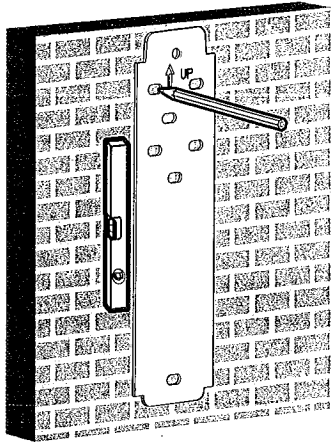
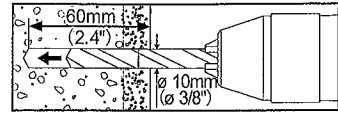
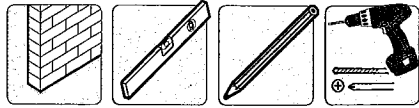
Screw the wall mount onto the wall

With the arrow pointing up

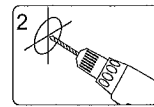
## ⚠ WARNING

- Make sure that mounting screws are anchored into the center of the studs. The use of a stud finder is highly recommended.
- Installers are responsible to provide hardware for other types of mounting situations.
- Installers must verify that the supporting surface will safely support the combined weight of the equipment and all attached hardware and components.

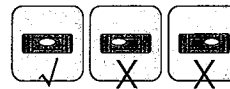
### 3b. For Solid Brick and Concrete Mounting



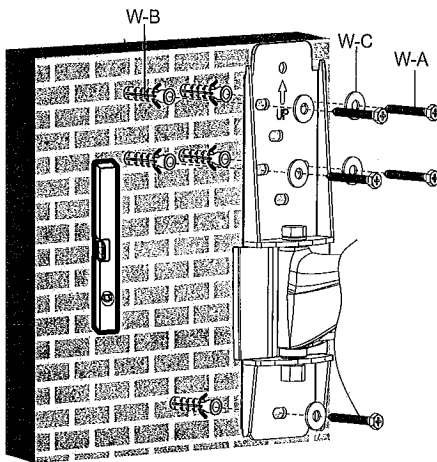
1  
Mark the exact location of mounting holes



2  
Drill pilot holes



Screw the wall mount onto the wall

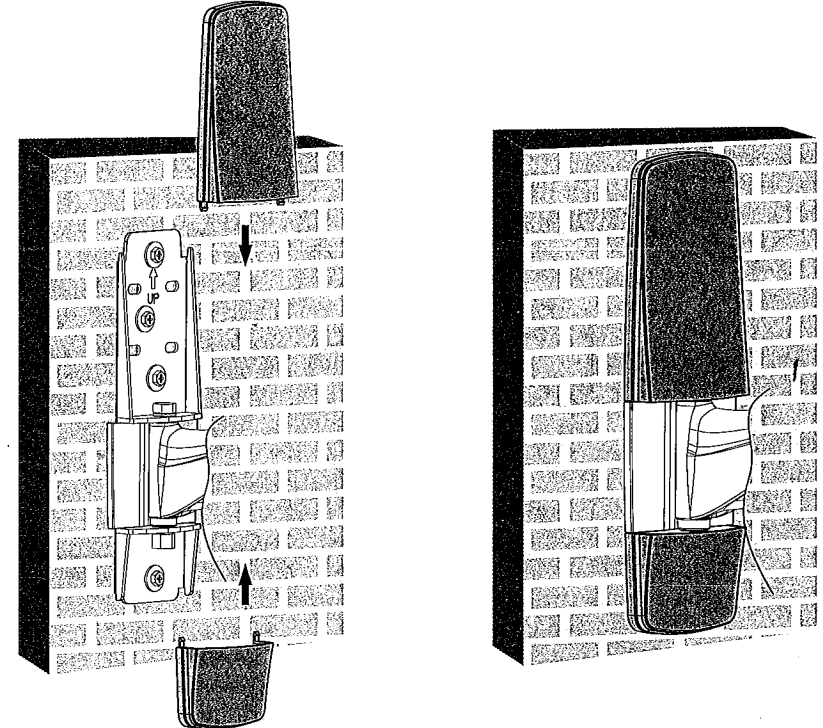


With the arrow pointing up

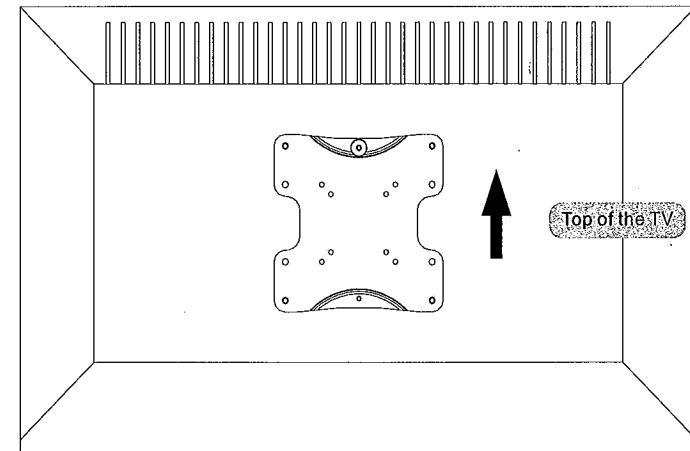
### ⚠ WARNING

Installers must verify that the supporting surface will safely support the combined weight of the equipment and all attached hardware and components.

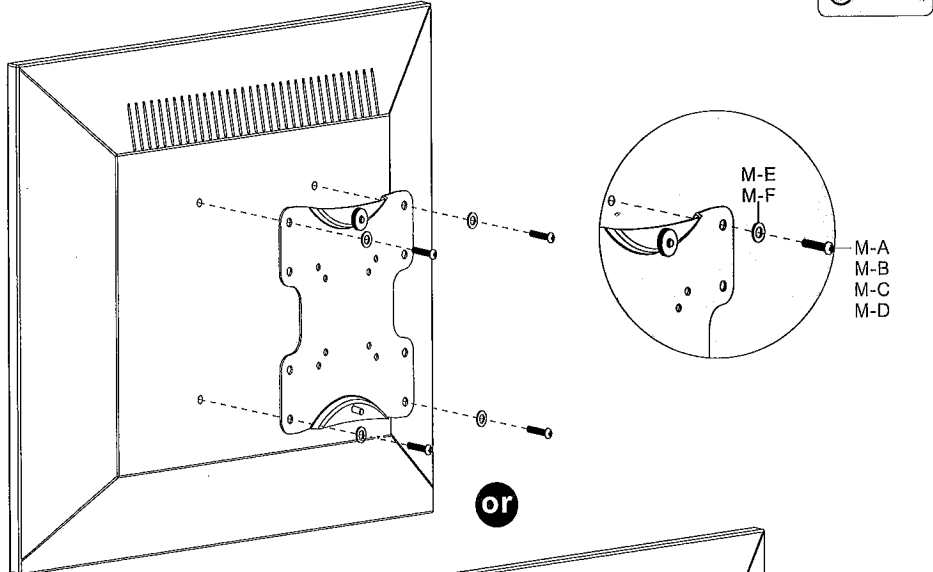
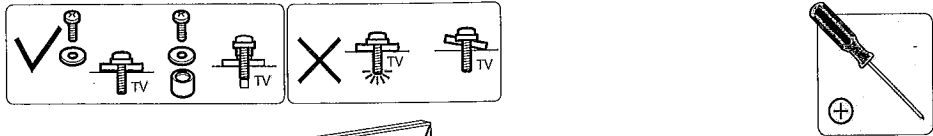
### 4. Installing the Decorative Covers



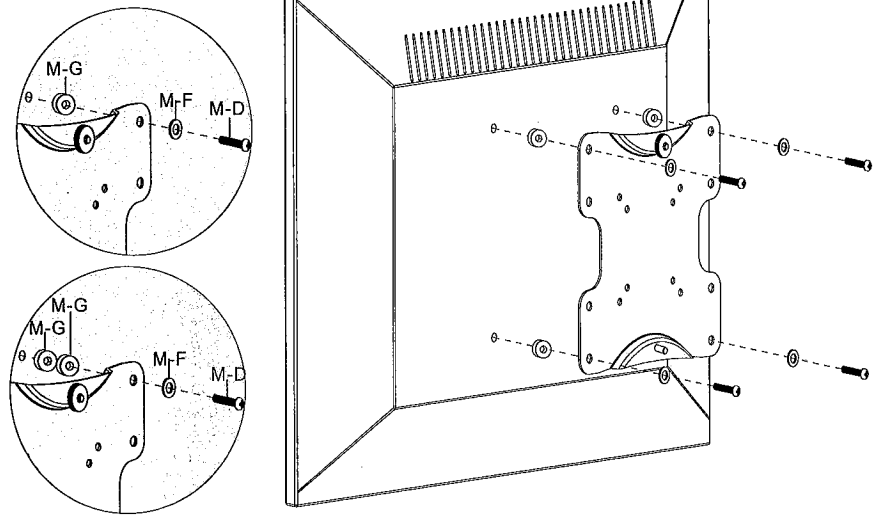
### 5. Installing the VESA Plate



**7. Mounting the VESA plate to the TV**



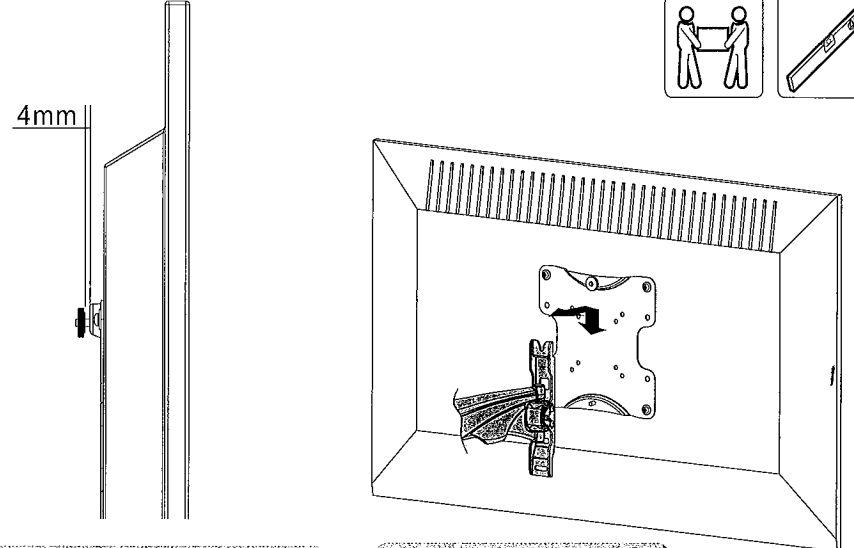
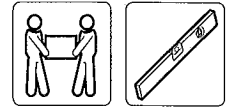
or



**Note:** Choose the appropriate screws, washers and spacers (if necessary) according to the type of screen. Screw the VESA plate onto the TV.

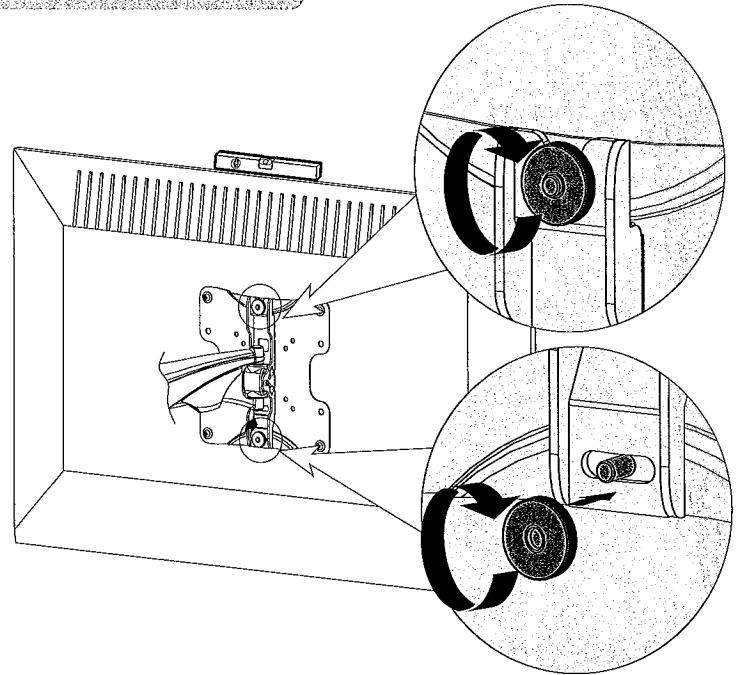
**⚠ Tighten all screws but do not over tighten.**

**6. Hooking the TV onto the Wall Mount**



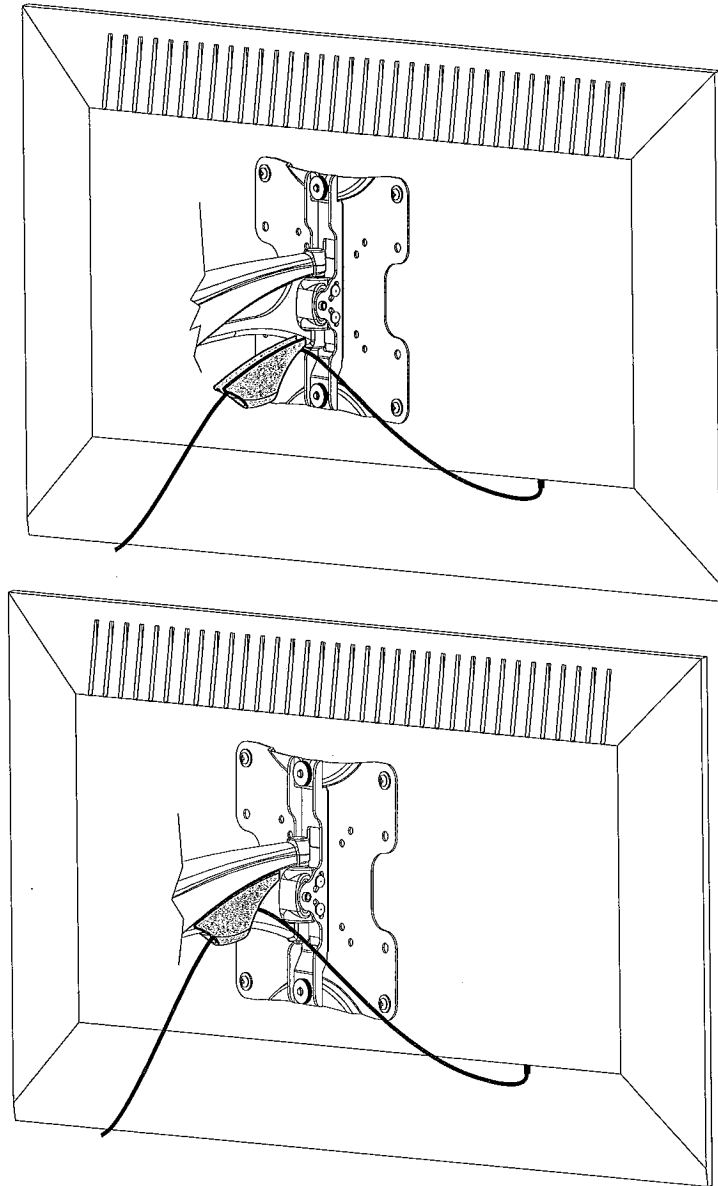
Loosen the upper thumbscrew leaving a 4mm space to the VESA plate

Hook the TV onto the wall mount



Level the TV.  
Place the lower thumbscrew. Tighten both thumbscrews

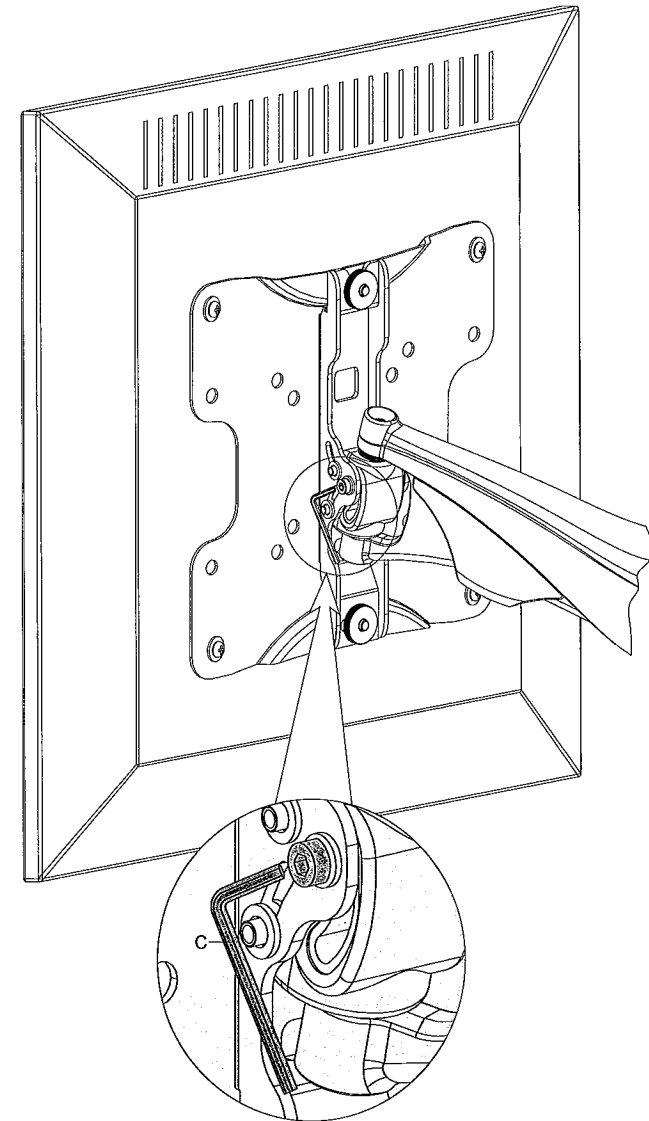
## 7. Cable Management



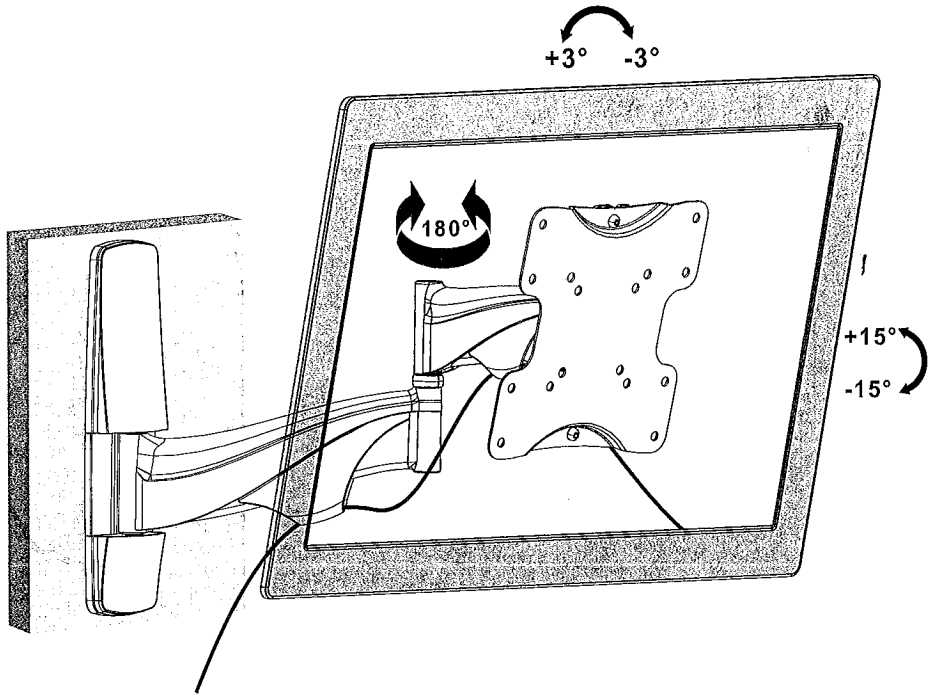
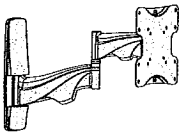
- Remove the cable covers as required, Connect cables to your TV and route along the arms.
- Re-attach the cable covers to hold the cables in place.

**Note:** Leave slack in cables for cantilever arm movement.

## 8. Adjustment



Depending on the weight of the display, it is necessary to slightly loosen or tighten the adjustment screw using an Allen key.



Adjust to the desired position or tilt.

**Maintenance**

- Check that the bracket is secure and safe to use at regular intervals (at least every three months).
- Please contact your distributor if you have any questions.