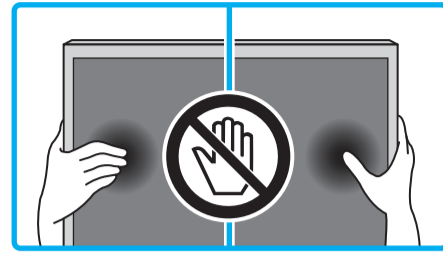
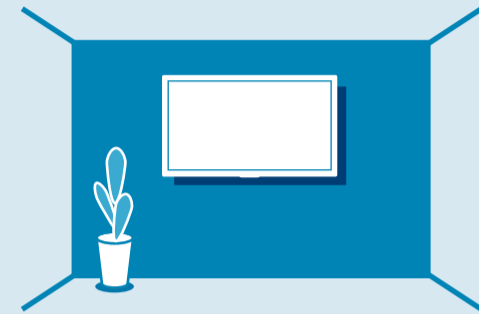
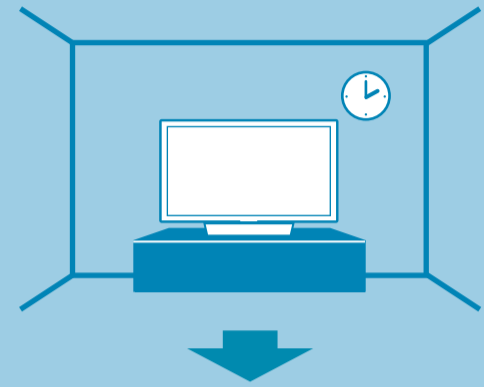


Setup Guide



BRAVIA

KD-65X9000E / 55X9000E



Reference Guide

* Only on limited region/country/TV model.

1

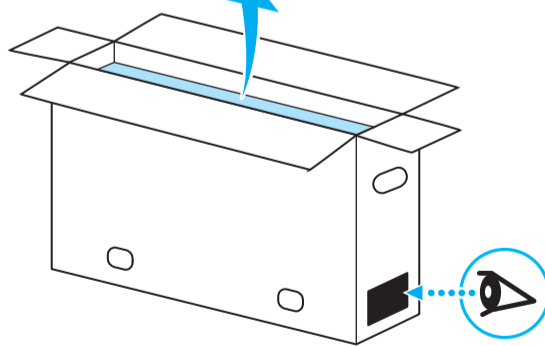
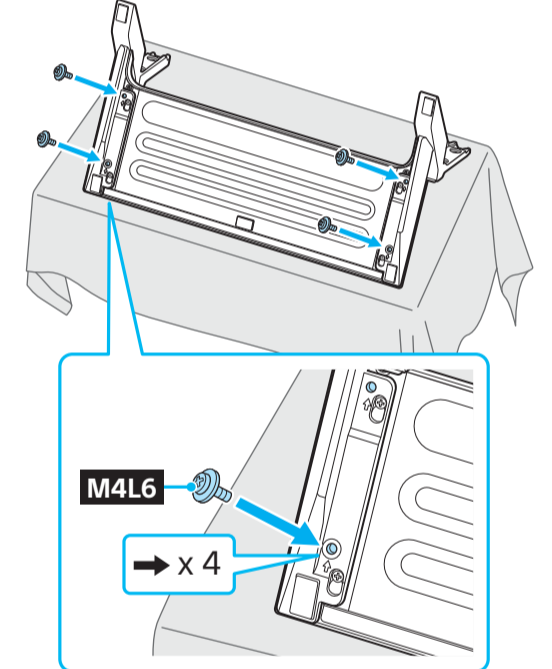
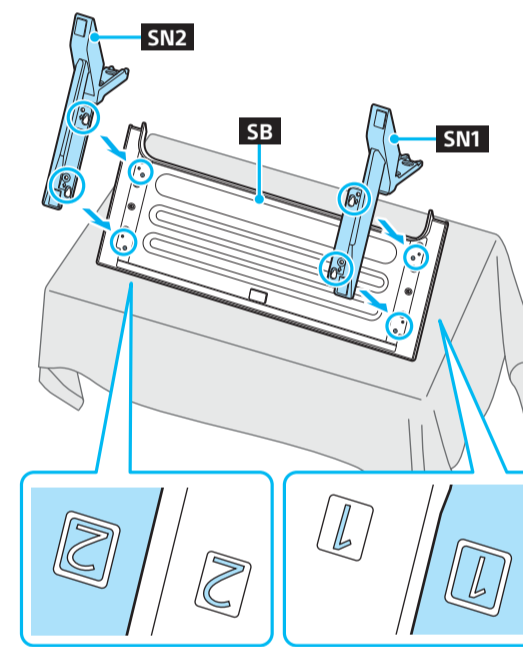
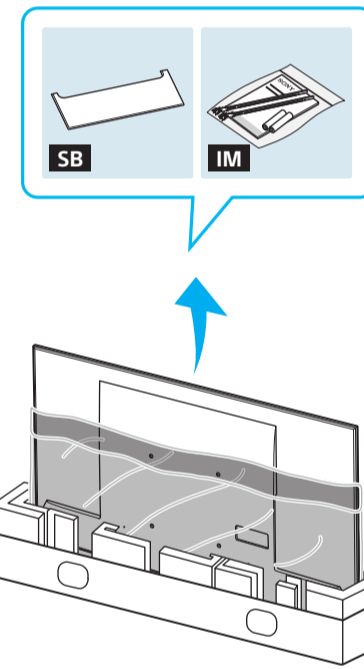
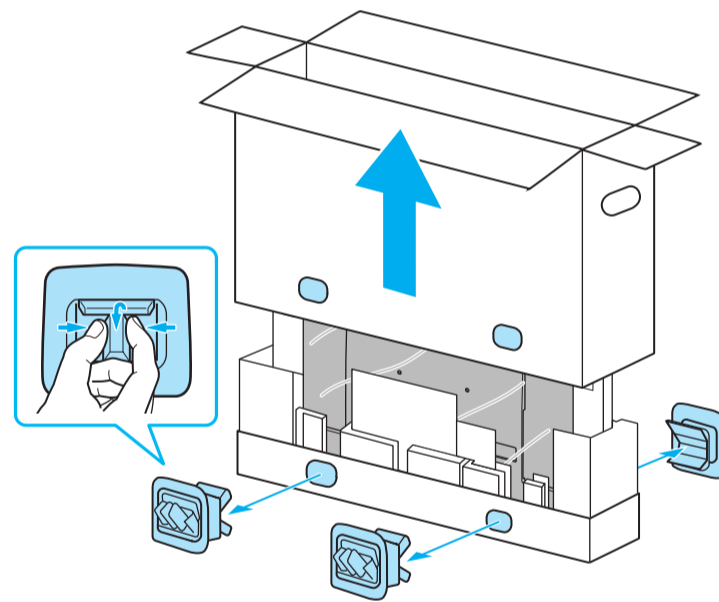
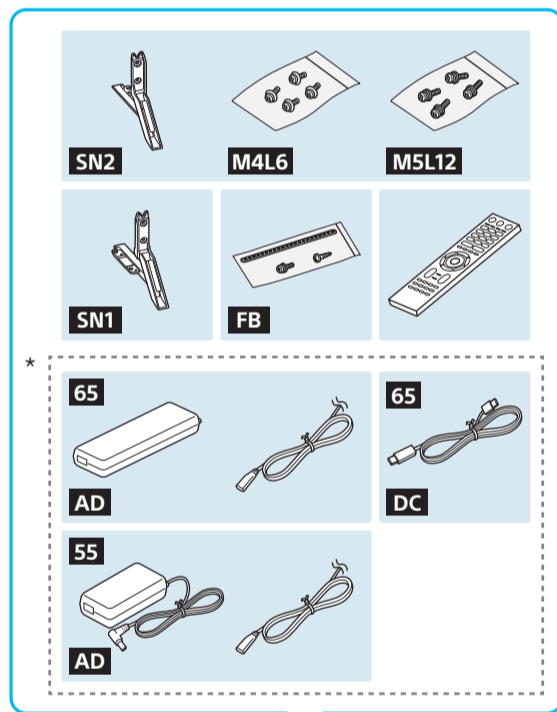
1

2

3

4

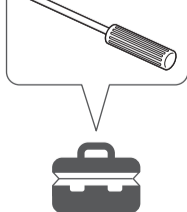
5



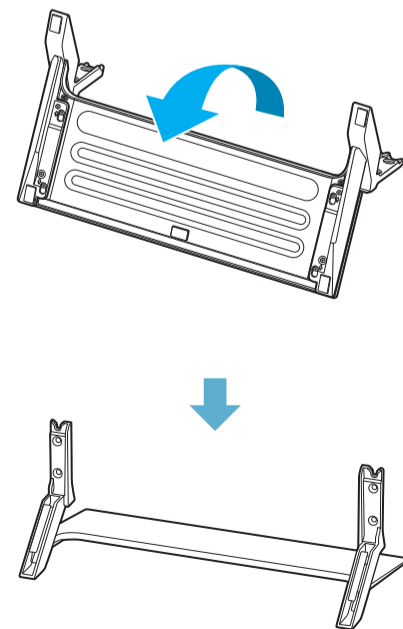
65

55

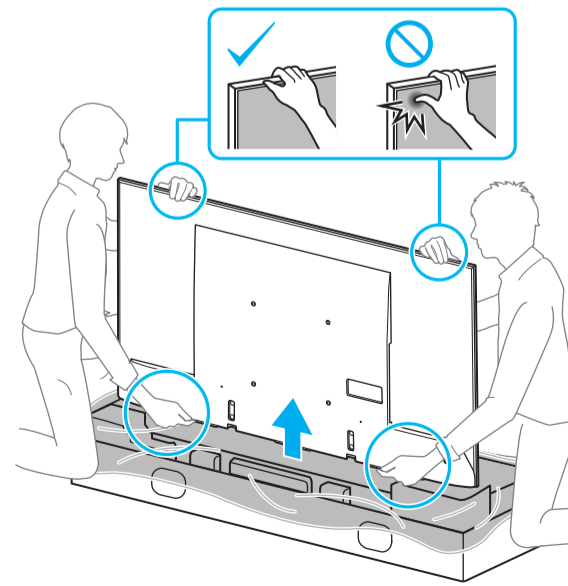
1.5 N·m/1,5 N·m
(15 kgf·cm)



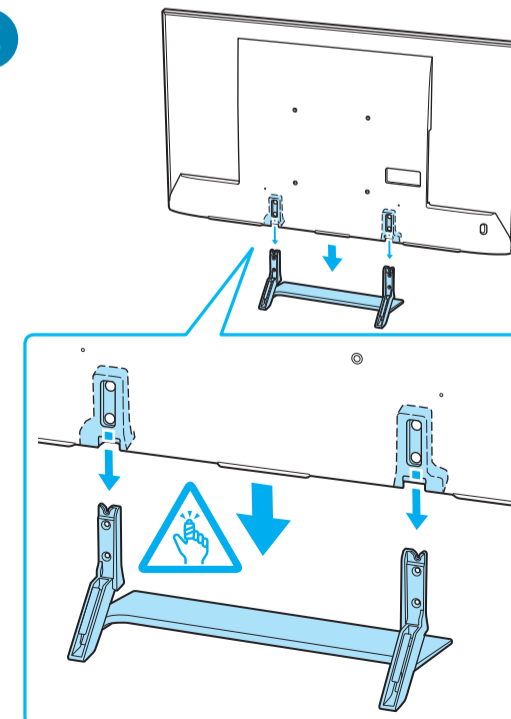
6



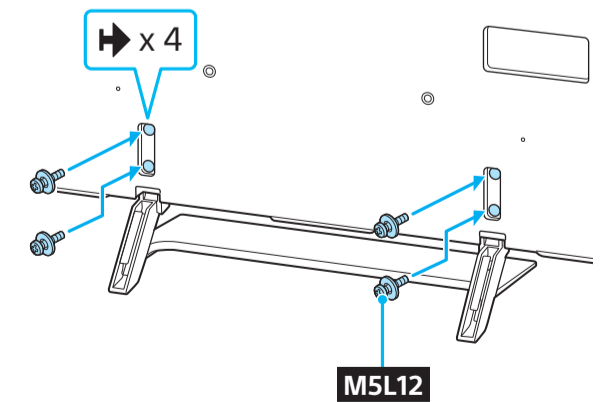
7



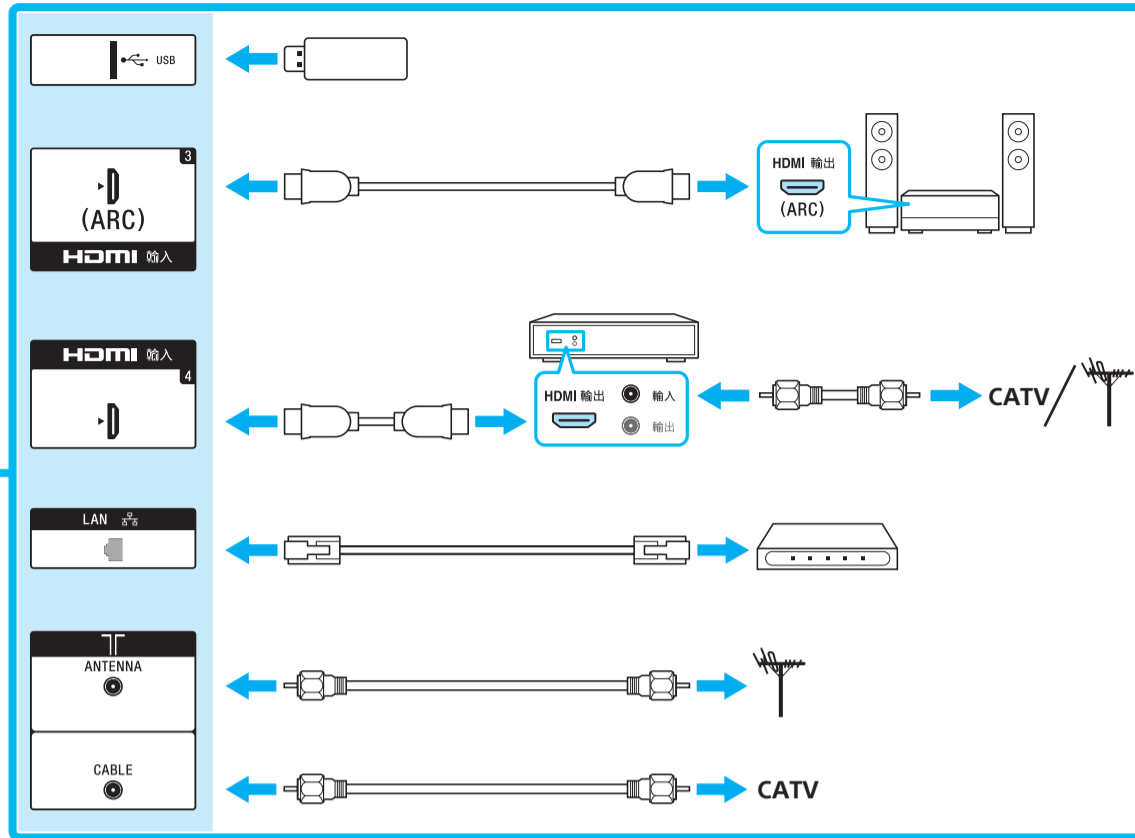
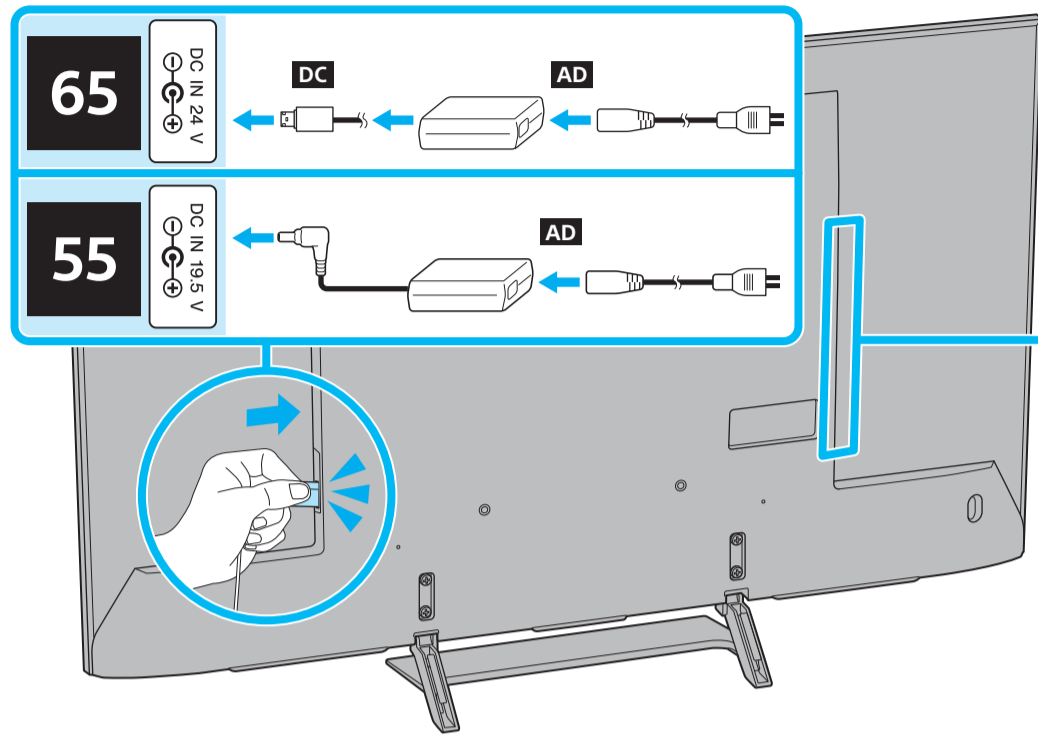
8



9

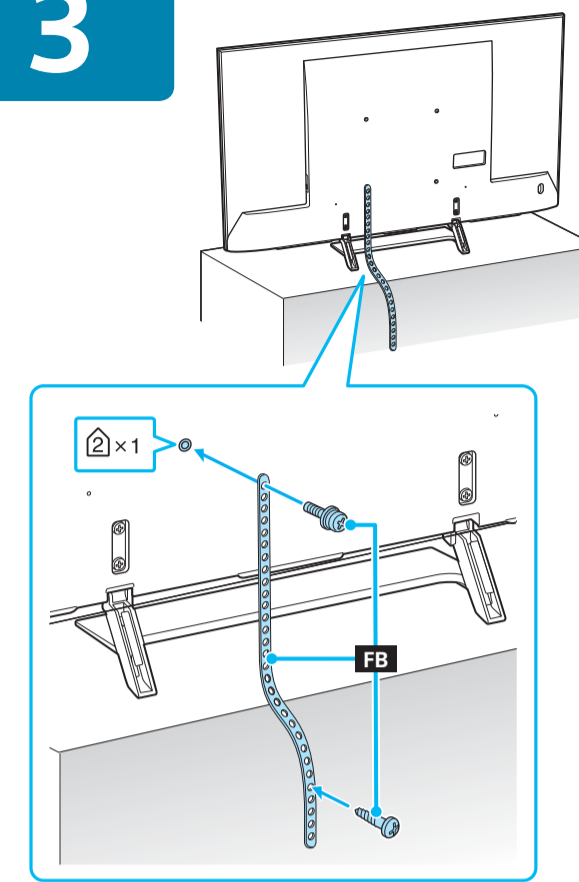


2

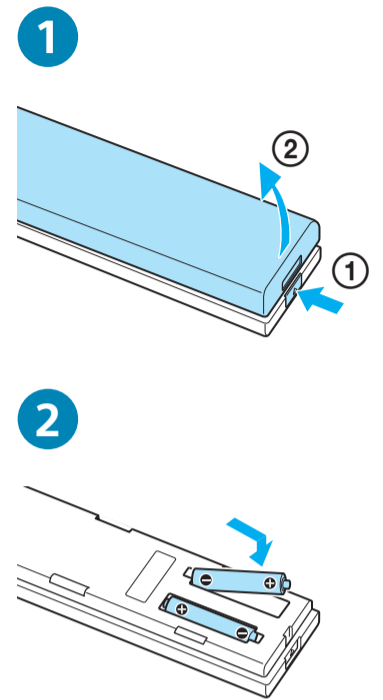


Connections Refer to "Connection Diagram" in the Reference Guide for additional connection information.

3

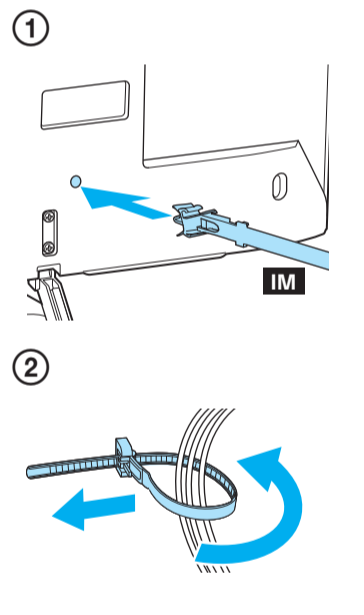
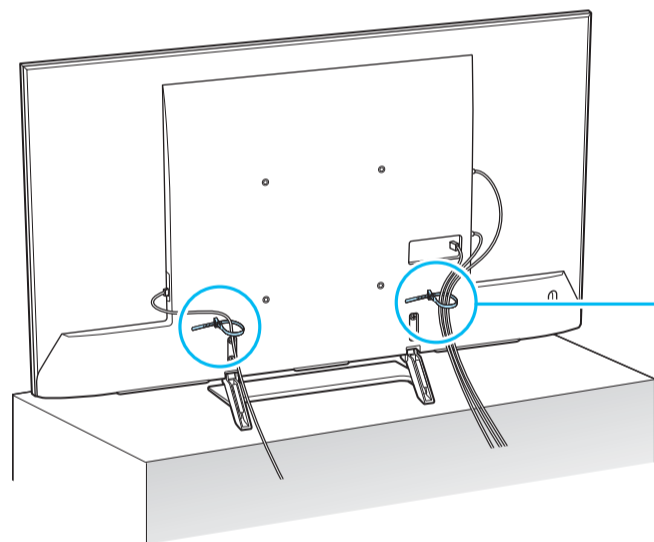


4

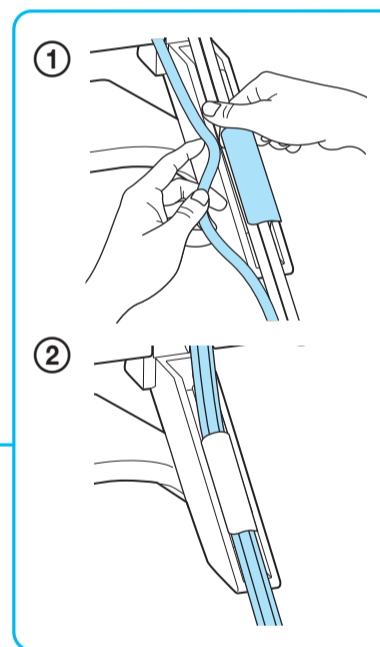
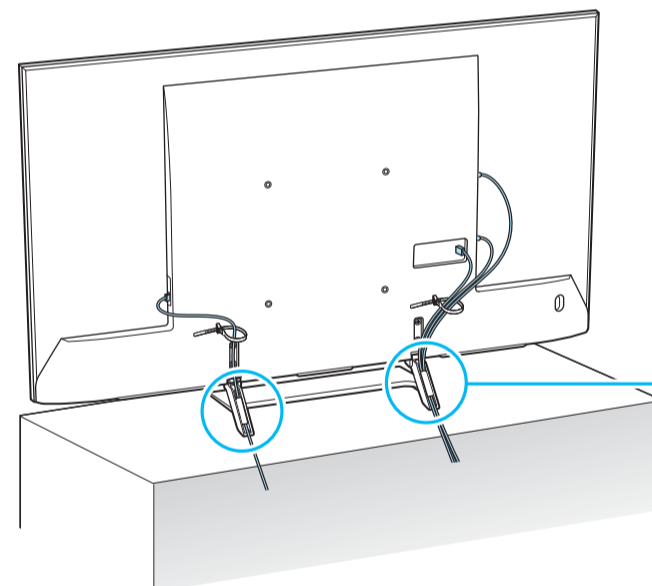


5

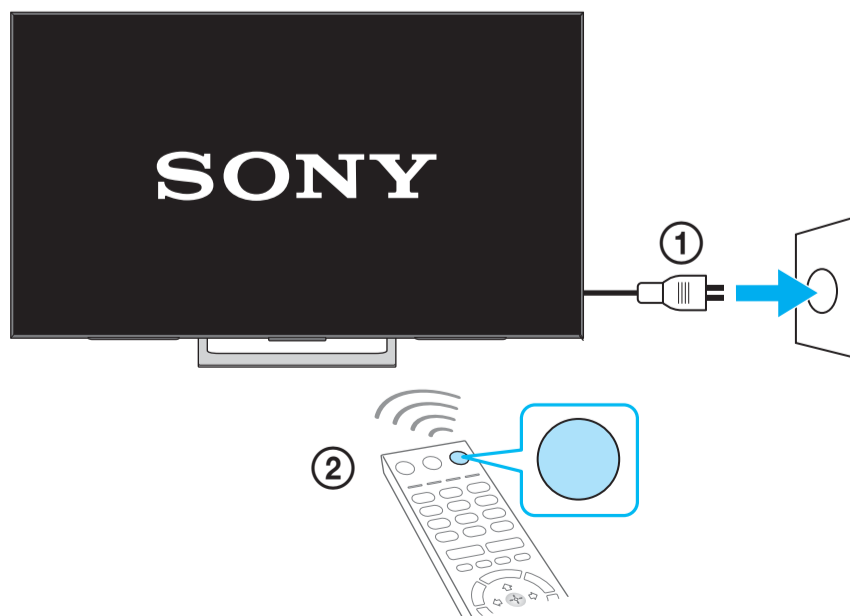
1



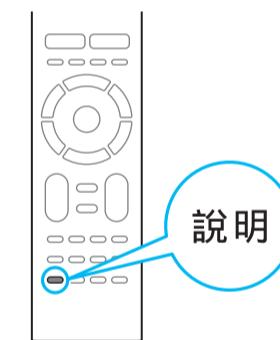
2



3



i



Help



<http://www.sony.net/tv-how-to-videos>

Tips