

# Installing the TV to the Wall

## Using your TV's Table-Top Stand as a Wall-Mount Bracket

### To Customers

Sufficient expertise is required for installing this product. Be sure to subcontract the installation to Sony dealers or licensed contractors and pay special attention to safety during the installation. Sony is not liable for any damages or injury caused by mishandling or improper installation, or installing any other than the specified product. Your Statutory Rights (if any) are not affected.

### To Sony Dealers and Contractors

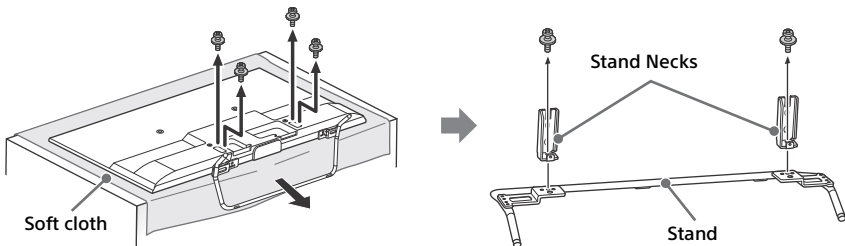
Sufficient expertise is required for installing this product. Be sure to read this instruction manual thoroughly to do the installation work safely. Sony is not liable for any damages or injury caused by mishandling or improper installation.

Your TV's Table-Top Stand will be used as a part of the Wall-Mount Bracket.

#### Note

- See page 2 (Safety Information) and page 5 (Precautions) on WALL-MOUNT BRACKET before carrying out Wall-Mount Bracket installation.
- If the Table-Top Stand is attached to the TV, detach the Table-Top Stand beforehand.
- Place the TV with its screen facing down on a flat and stable surface covered with a thick and soft cloth that is larger than the TV, when securing the Stand or when removing the Table-Top Stand from the TV to prevent damaging the surface of the LCD display.
- Once the Stand Necks are detached from the Stand, be sure to keep the Stand Necks and screws in a safe place.
- When attaching the Table-Top Stand again, be sure to fasten the screws (previously removed) to the original holes on the rear of the TV.

## To detach the Table-Top Stand from the TV

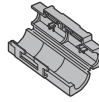
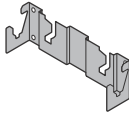
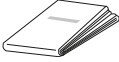


## Installing the Brackets on the wall

### 1 Prepare necessary items.

#### Wall-Mount Bracket accessories **H**

- (A) Paper Template    (B) Wall-Mount Base (1)    (C) Stand Protector (2)    (D) Screw (+PSW M8 × 12) (2)



- (E) Spacers (2)

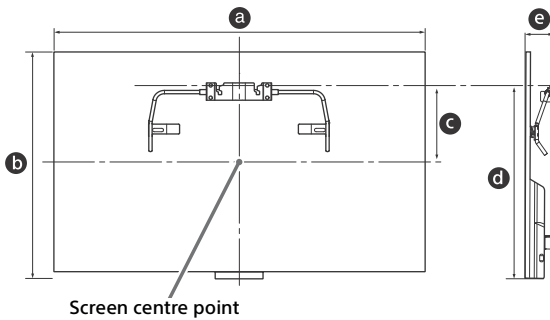


#### Stand **B**



**Screws for Wall-Mount Base (8 mm in diameter, not supplied)**

### 2 Make sure that the wall has enough space for the TV and is capable of supporting a weight of at least four times that of the TV. Refer to the following table on installing the TV to the wall. See page 23-26 (Specifications) for the TV's weight.



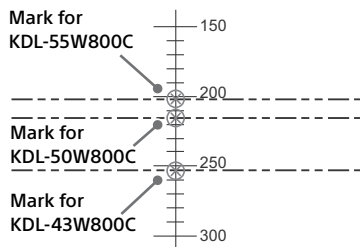
Model Name KDL-	Display dimensions		Screen centre dimension	Length for mounting	
	a	b	c	d	e
55W800C	1,230	715	201	566	89
50W800C	1,116	654	215	552	87
43W800C	962	565	253	544	87

**Note**

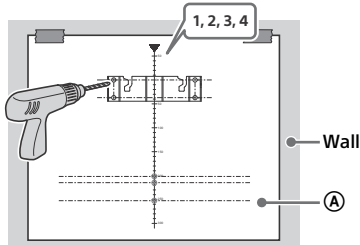
- Figures in the table may differ slightly depending on the installation.

### 3 Make a mark on the Paper Template (A) that indicates the centre of the screen for your TV.

#### Scale on Paper Template (A)

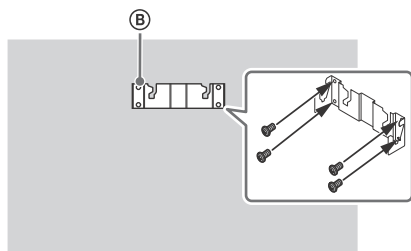


### 4 Tape the Paper Template (A) to the wall and drill holes according to the numbering on the Paper Template (A) using an electric drill.



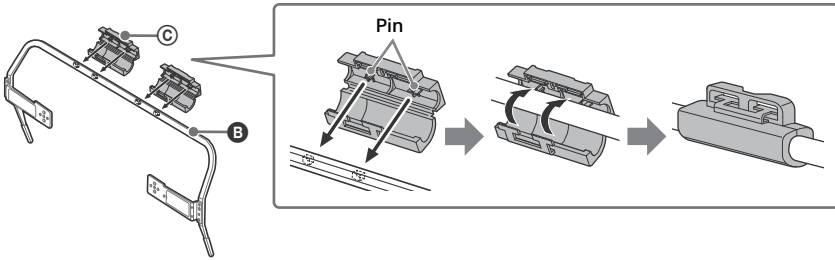
### 5 Remove the Paper Template (A) off from the wall.

### 6 Attach the Wall-Mount Base (B) to the wall correctly using the screws (8 mm in diameter, not supplied).

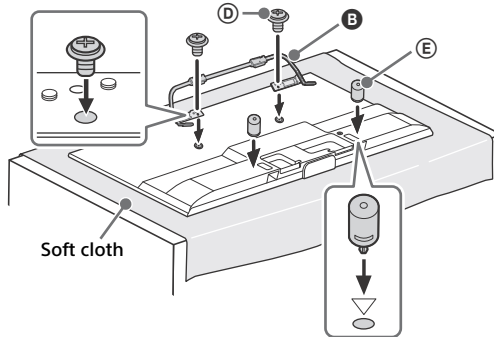


## Preparing for the installation of the TV

- 1 Insert the pin (on the Stand Protector ③) into the hole on the Stand ②, then fold up the Stand Protector ③. Confirm the Stand Protector ③ is firmly latched to the Stand ②.

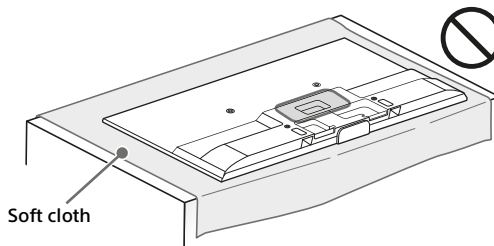


- 2 Attach the Stand ② to the TV using the supplied screws ④. Attach the Spacers ⑤ to the holes indicated by the triangle marks  $\Delta$ .



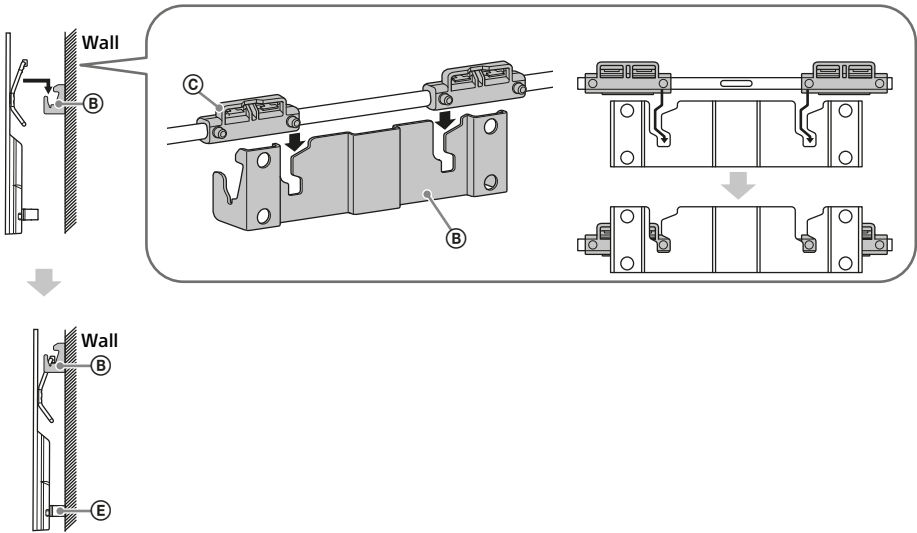
### Note

- You cannot use some of the terminals on the rear of the TV when using this mounting style.
- Connect the analogue extension cable (Availability depends on countries/regions/TV models) if you need to use  $\rightarrow/\rightarrow$  VIDEO IN 1 socket.



## Installing the TV on the wall

- 1 Make sure to connect and bundle the cables before installing the TV on the wall.
- 2 Install the TV on the wall. Then, confirm the Stand Protector © is firmly latched into the Wall-Mount Base ② and the Spacers ⑤ touch the wall.



GB

## Dimensions of the hole positions on the wall

Provide the following information to the licensed contractors if necessary.

Use screws (8 mm in diameter, not supplied) to install the Wall-Mount Base ② on the wall.

Be sure to use the supplied Paper Template ④ that shows the actual position of Wall-Mount Base ② for easy installation.

